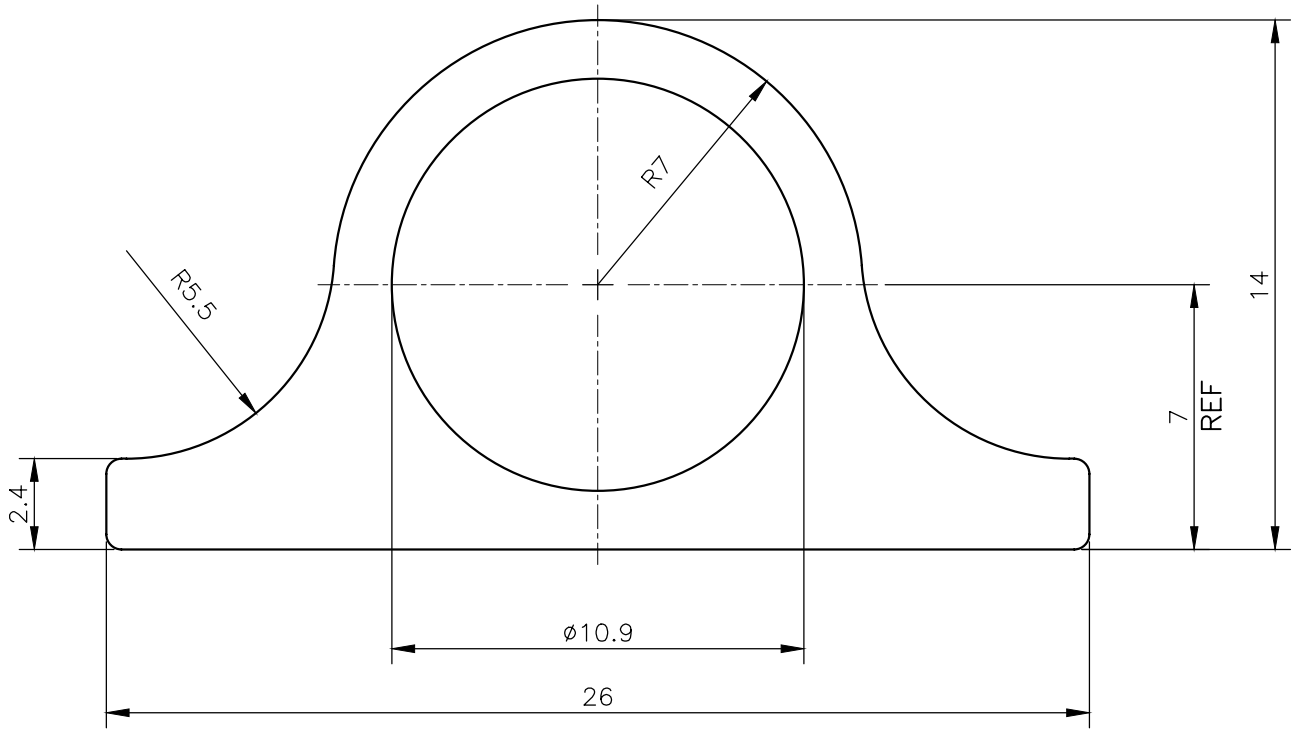
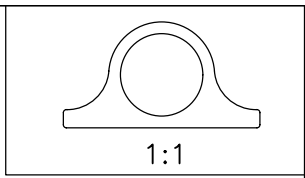



| |
|---------|
| P-18375 |
| X2362 |
| 18110 |



| | | | | |
|--|--|----------------------|-------------|-------------|
|  SYMBOL OF QUALITY AN ISO 9001 COMPANY | JINDAL ALUMINIUM LTD. BANGALORE-560073 (INDIA) | | NAME | DATE |
| | | DRAWN | J.P.KAUSHIK | 03-07-2018 |
| 1. ALL DIMENSIONS ARE IN mm. 2. ROUND OFF ALL SHARP CORNERS WITH 0.40 mm. 3. TOLERANCES WILL BE AS PER IS:6477-1983 , UNLESS OTHERWISE SPECIFIED | | CHECKED | | |
| | | APPROVED | B.NATARAJA | 14-07-2018 |
| PARTY'S NAME IMPERIAL METAL MART, DELHI | | SCALE | | 5:1 |
| | | AREA mm ² | | 122.973 |
| PARTY'S DRAWING No. AS PER SAMPLE | | PERIMETER mm. | | 68.647 |
| | | WEIGHT kg/m | | 0.332 |
| ALLOY & TEMPER HE9 WP-A3D | | DRAWING No. | | SECTION No. |
| | | P-18375 | | - |
| DESCRIPTION TOWER BOLT SECTION | | X2362 | | X2362 |
| | | 18110 | | 18110 |
| | | | | |
| | | | | |