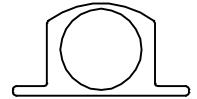
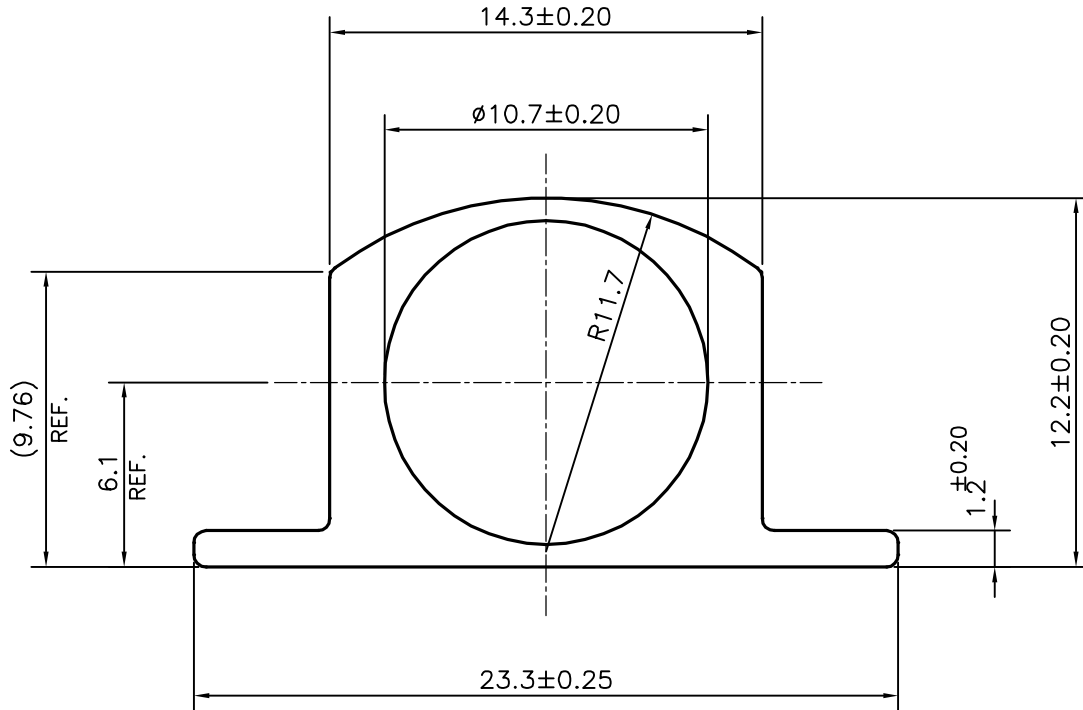


P-22322-1

18111



SCALE: - 1:1



APPROXIMATE WEIGHT RANGE - 0.204 - 0.250 kg/m



SYMBOL OF QUALITY  
AN ISO 9001 COMPANY

**JINDAL ALUMINIUM LTD.**  
BANGALORE-560073 (INDIA)

	NAME	DATE
DRAWN	J.P.KAUSHIK	18-03-2021
CHECKED		
APPROVED	B.NATARAJA	21-05-2021
SCALE		4:1
AREA mm <sup>2</sup>		84.166
PERIMETER mm.		66.12
WEIGHT kg/m		0.227
DRAWING No.	SECTION No.	
P-22322-1	-	
18111	18111	

1. ALL DIMENSIONS ARE IN mm.
2. ROUND OFF ALL SHARP CORNERS WITH 0.40 mm.
3. TOLERANCES WILL BE AS PER IS:6477-1983 , UNLESS OTHERWISE SPECIFIED

PARTY'S NAME	IMPERIAL METAL MART, DELHI
PARTY'S DRAWING No.	AS PER DRAWING
ALLOY & TEMPER	6063 T6
DESCRIPTION	TOWER BOLT SECTION