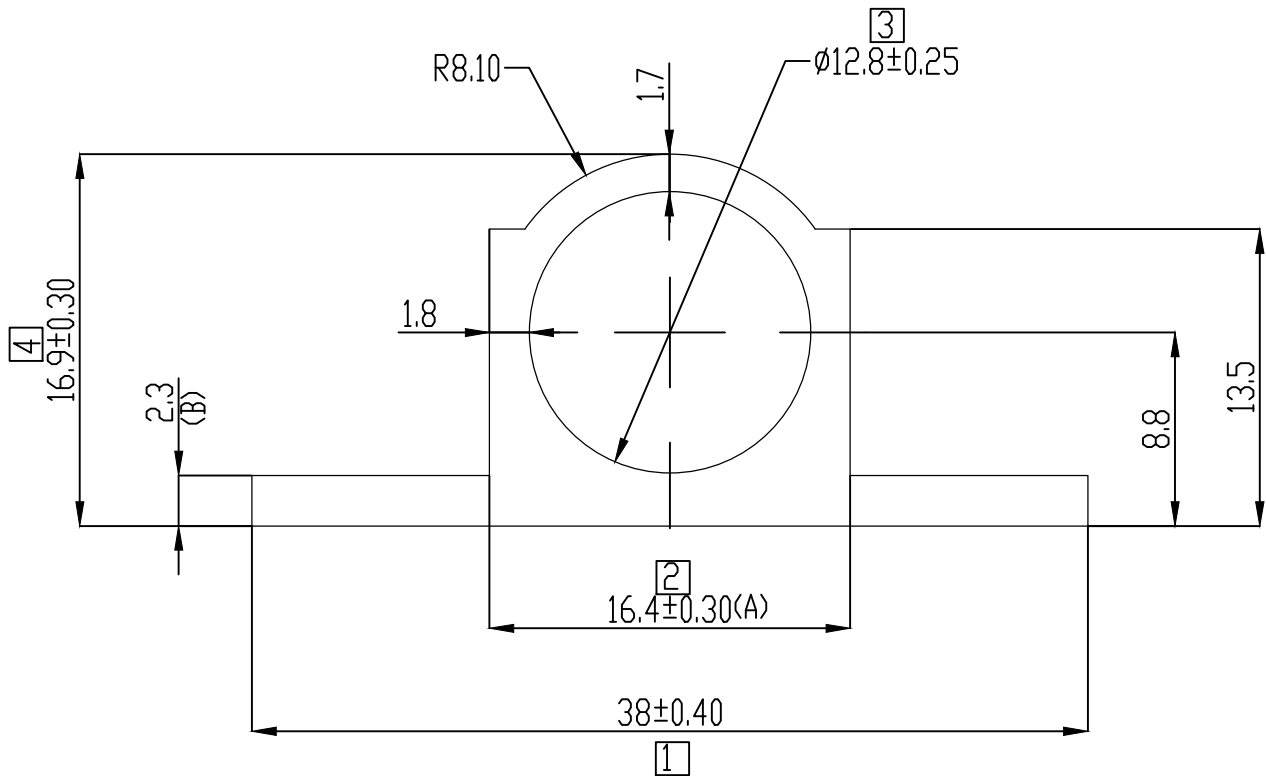


IAL-D-6550

18118



WEIGHT RANGE:- 1.675 To 1.750KG/12'

TWIST=±1/4°/300 M.M./M.
 FLATNESS= WIDTH X 0.005mm.
 STRAIGHTNESS= 1.50 M.M./MTR.
 ANGULARITY=±1.5°



SYMBOL OF QUALITY
 AN ISO 9001 COMPANY

JINDAL ALUMINIUM LTD.
 BANGALORE-560073 (INDIA)

	NAME	DATE
DRAWN	PARVESH	22-12-2021
CHECKED		
APPROVED		
SCALE		1:1
AREA mm ²		173.84
PERIMETER mm.		105.22
WEIGHT kg/m		0.469
DRAWING No.		SECTION No.
IAL-D-6550		-
18118		18118

- ALL DIMENSIONS ARE IN mm.
- ROUND OFF ALL SHARP CORNERS WITH 0.40 mm.
- TOLERANCES WILL BE AS PER IS:6477-1983 , UNLESS OTHERWISE SPECIFIED

PARTY'S NAME	-
PARTY'S DRAWING No.	AS PER DRAWING
ALLOY & TEMPER	6063 T6
DESCRIPTION	TOWER BOLT SECTION