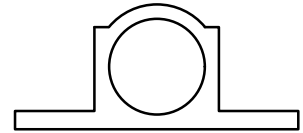
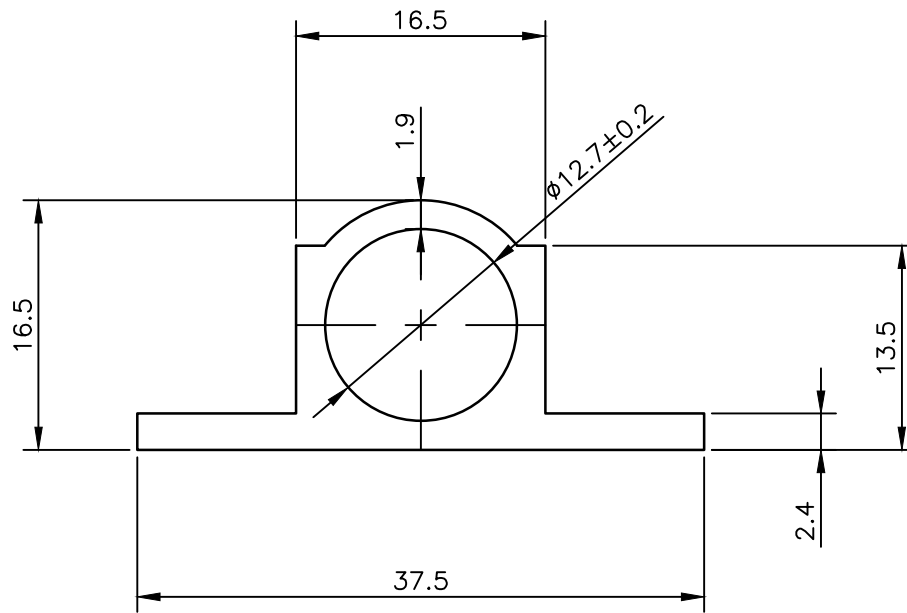


IAL-D-150

18120



SCALE: 1:1



SYMBOL OF QUALITY
AN ISO 9001 COMPANY

JINDAL ALUMINIUM LTD.
BANGALORE-560073 (INDIA)

	NAME	DATE
DRAWN	S.K.SHARMA	13-01-2022
CHECKED		
APPROVED		

1. ALL DIMENSIONS ARE IN mm.
2. ROUND OFF ALL SHARP CORNERS WITH 0.40 mm.
3. TOLERANCES WILL BE AS PER BS:EN-755-9 , UNLESS OTHERWISE SPECIFIED

SCALE	1:1&2:1
AREA mm ²	173.0
PERIMETER mm.	106.0
WEIGHT kg/m	0.467

PARTY'S NAME	MARKET	DRAWING No.	SECTION No.
PARTY'S DRAWING No.	AS PER DRAWING	IAL-D-150	-
ALLOY & TEMPER	6063-T6	18120	18120
DESCRIPTION	--		