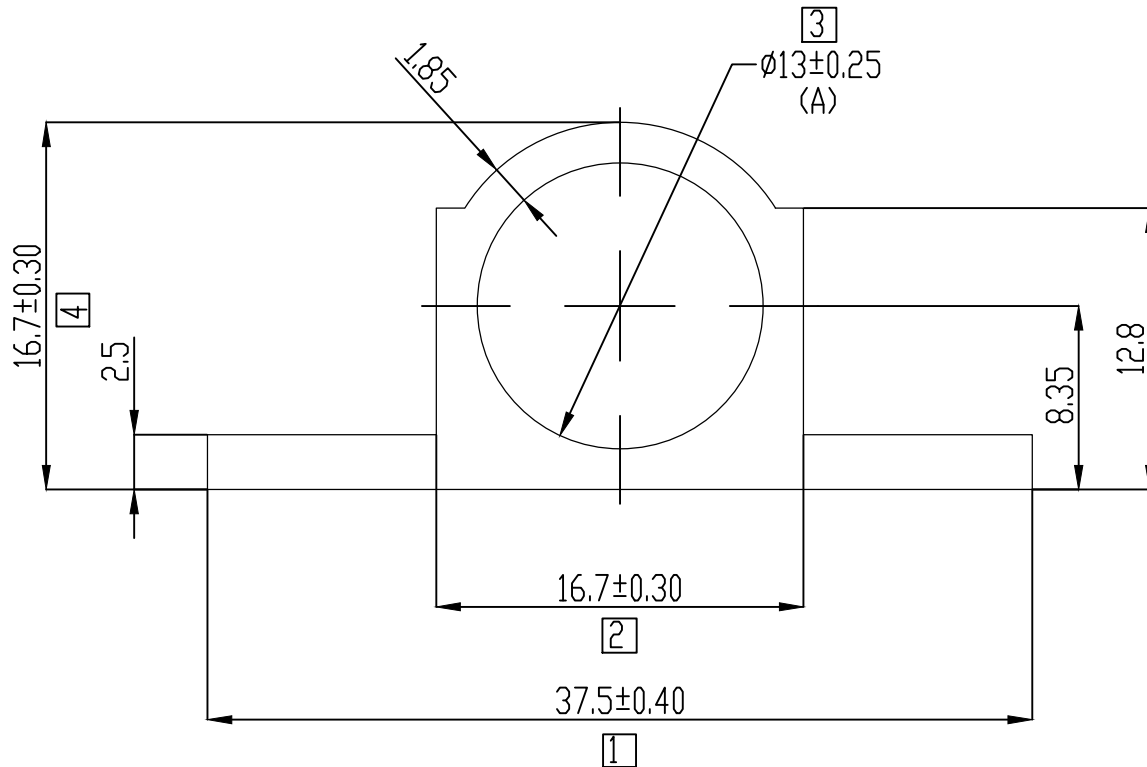


IAL-D-6701

18121



WEIGHT RANGE:- 1.575 TO 1.675 KG/12'

TWIST=±1/4°/300 M.M./M.  
 FLATNESS= WIDTH X 0.005mm.  
 STRAIGHTNESS= 1.50 M.M./MTR.  
 ANGULARITY=±1.5°



SYMBOL OF QUALITY  
AN ISO 9001 COMPANY

**JINDAL ALUMINIUM LTD.**  
**BANGALORE-560073 (INDIA)**

	NAME	DATE
DRAWN	PARVESH	13-01-2022
CHECKED		
APPROVED		
SCALE		3:1
AREA mm <sup>2</sup>		171.78
PERIMETER mm.		103.31
WEIGHT kg/m		0.463
DRAWING No.		SECTION No.
IAL-D-6701		-
18121		18121

1. ALL DIMENSIONS ARE IN mm.
2. ROUND OFF ALL SHARP CORNERS WITH 0.40 mm.
3. TOLERANCES WILL BE AS PER IS:6477-1983 , UNLESS OTHERWISE SPECIFIED

PARTY'S NAME	-
PARTY'S DRAWING No.	AS PER DRAWING
ALLOY & TEMPER	6063 T6
DESCRIPTION	TOWER BOLT SECTION