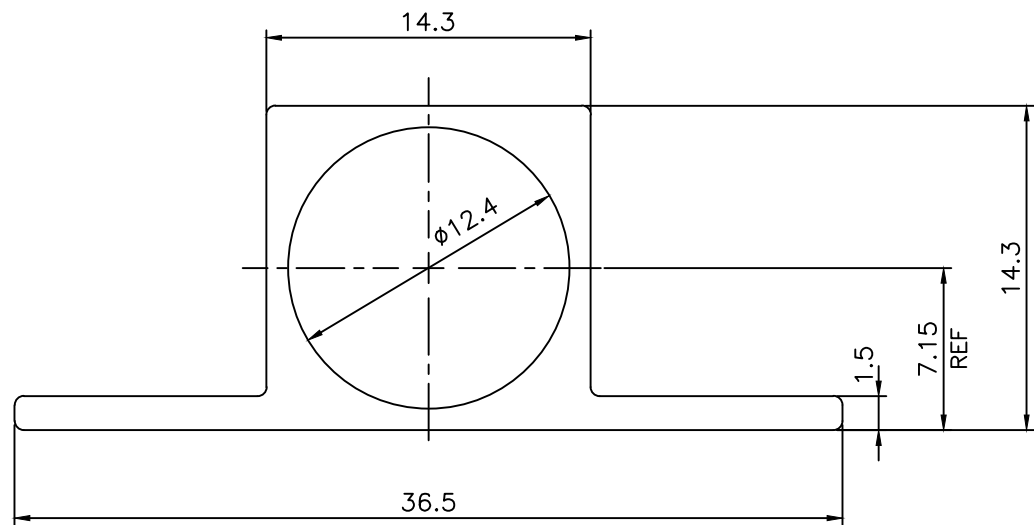
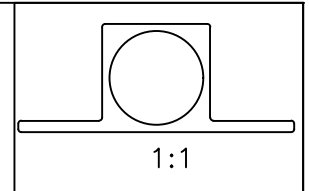


P-18840

X2426

18122



SYMBOL OF QUALITY
AN ISO 9001 COMPANY

JINDAL ALUMINIUM LTD.
BANGALORE-560073 (INDIA)

| | NAME | DATE |
|----------|-------------|------------|
| DRAWN | J.P.KAUSHIK | 09-11-2018 |
| CHECKED | | |
| APPROVED | B.NATARAJA | 22-11-2018 |

1. ALL DIMENSIONS ARE IN mm.
2. ROUND OFF ALL SHARP CORNERS WITH 0.40 mm.
3. TOLERANCES WILL BE AS PER IS:6477-1983 UNLESS OTHERWISE SPECIFIED

| | |
|----------------------|---------|
| SCALE | 3:1 |
| AREA mm ² | 116.89 |
| PERIMETER mm. | 100.227 |
| WEIGHT kg/m | 0.316 |

PARTY'S NAME IMPERIAL METAL MART, DELHI

DRAWING No. SECTION No.

PARTY'S DRAWING No. AS PER DRAWING

P-18840

ALLOY & TEMPER HE9 WP A3D

X2426

X2426

DESCRIPTION

TOWER BOLT

18122

18122