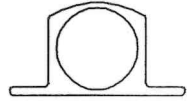
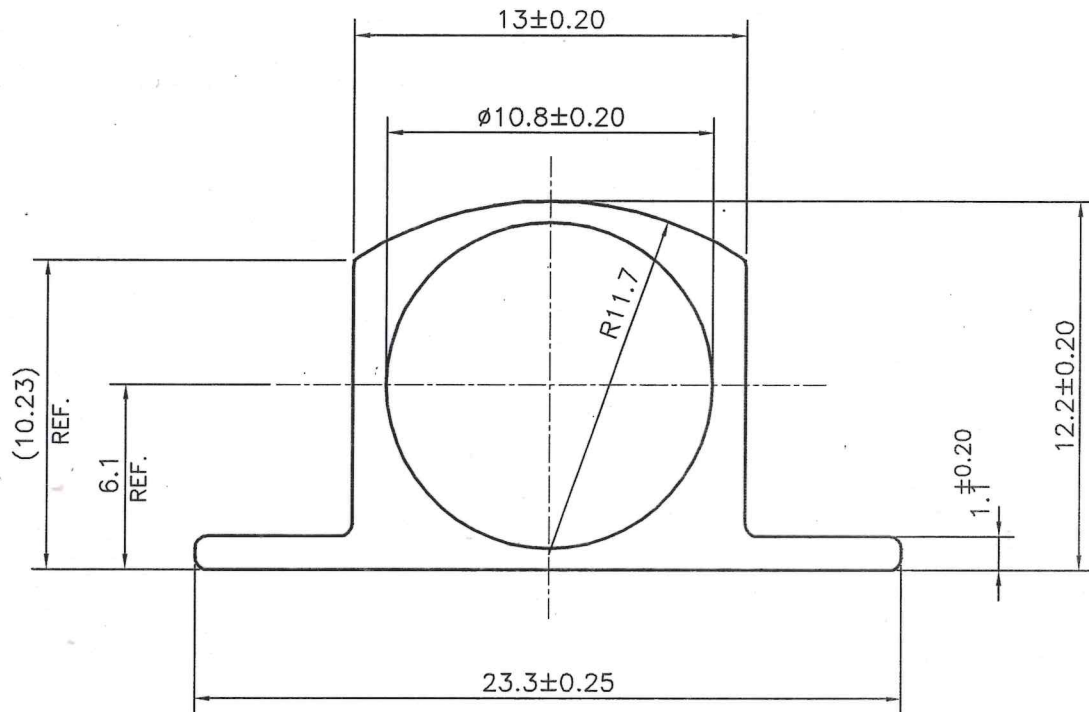


P-23539-1

18126



SCALE: - 1:1



1. STRAIGHTNESS=1.7mm/M
2. TWIST=1.7mm/M
3. ANGULARITY= $\pm 2^\circ$
4. FLATNESS =0.007xWIDTH



SYMBOL OF QUALITY
AN ISO 9001 COMPANY

JINDAL ALUMINIUM LTD.
BANGALORE-560073 (INDIA)

	NAME	DATE
DRAWN	J.P.KAUSHIK	16-02-2022
CHECKED		
APPROVED	B.NATARAJA	17-02-2022

1. ALL DIMENSIONS ARE IN mm.
2. ROUND OFF ALL SHARP CORNERS WITH 0.40 mm.
3. TOLERANCES WILL BE AS PER IS:6477-1983 , UNLESS OTHERWISE SPECIFIED

SCALE	4:1
AREA mm ²	70.004
PERIMETER mm.	66.738
WEIGHT kg/m	0.189

PARTY'S NAME	ALUMINIUM TRADING CO.,NEW DELHI	DRAWING No.	SECTION No.
PARTY'S DRAWING No.	AS PER DRAWING	P-23539-1	-
ALLOY & TEMPER	HE9 WP-A3D	18126	18126
DESCRIPTION	TOWER BOLT SECTION		