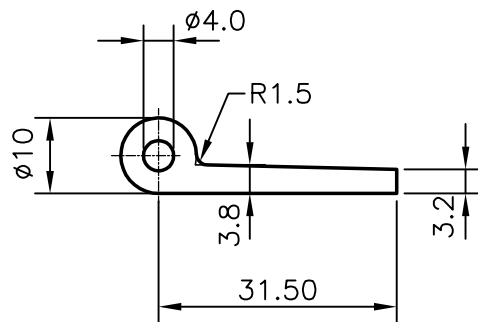


4066

18354



***JINDAL ALUMINIUM LTD.***  
*BANGALORE-560073*

		NAME	DATE
		DRAWN	P,KULKARNI
1. ALL DIMENSIONS ARE IN mm. 2. ROUND OFF ALL SHARP CORNERS WITH 0.4 mm. 3. TOLERANCES WILL BE AS PER IS: 6477-1983 ,UNLESS OTHERWISE SPECIFIED		CHECKED	
		APPROVED	
PARTY'S NAME	J.S.ENTERPRISES, VISHAKHAPATANAM	SCALE	1:1
PARTY'S DRAWING No.	—	WEIGHT kg/m	0.444
ALLOY & TEMPER	HE9 WP	SECTION No.	18354
LENGTH	3658 mm.	DRAWING No.	
DESCRIPTION	HOLLOW HINGE	18354	