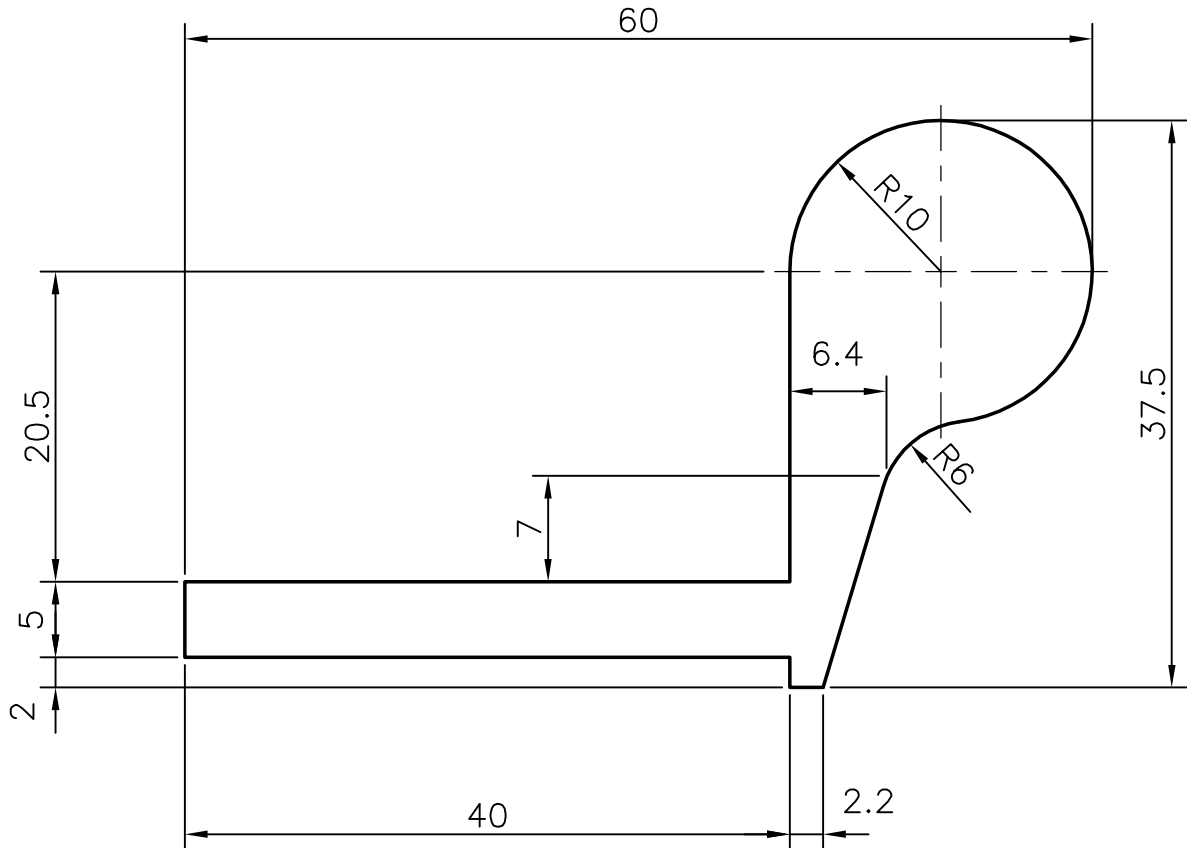
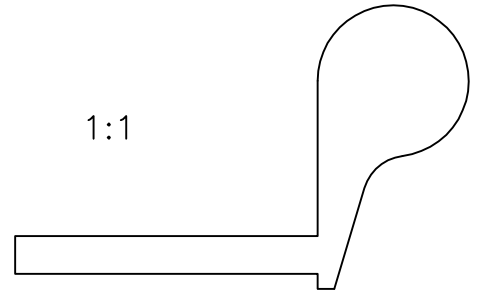


4073

18407

1:1



SYMBOL OF QUALITY
AN ISO 9002 COMPANY

JINDAL ALUMINIUM LTD.
BANGALORE-560073 (INDIA)

	NAME	DATE
DRAWN	R.D.Sharma	25-01-03
CHECKED		
APPROVED		

1. ALL DIMENSIONS ARE IN mm.
2. ROUND OFF ALL SHARP CORNERS WITH 0.40 mm.
3. TOLERANCES WILL BE AS PER IS 3965-1981 UNLESS OTHERWISE SPECIFIED

SCALE	2:1
AREA mm ²	623.4
PERIMETER mm.	176.5
WEIGHT kg/m	1.683
SECTION No.	18407
DRAWING No.	18407

PARTY'S NAME GENERAL CATEGORY

PARTY'S DRAWING No. NIL

ALLOY & TEMPER HE9 WP

DESCRIPTION HINGE SECTION