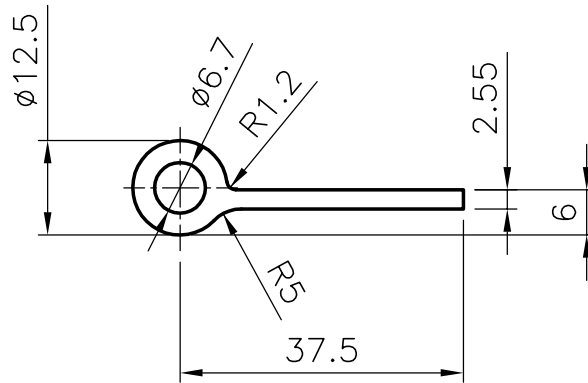



4098

18417



WEIGHT OF 3658 mm. LONG PIECE:- 1.700 kgs. (APPROX)

 SYMBOL OF QUALITY AN ISO 9002 COMPANY	JINDAL ALUMINIUM LTD. BANGALORE-560073 (INDIA)		NAME	DATE
		DRAWN	-	27-02-01
1. ALL DIMENSIONS ARE IN mm. 2. ROUND OFF ALL SHARP CORNERS WITH 0.40 mm. 3. TOLERANCES WILL BE AS PER IS:6477-1983 UNLESS OTHERWISE SPECIFIED		CHECKED		
		APPROVED		
		SCALE	1:1	
PARTY'S NAME	-	WEIGHT kg/m	0.465	
PARTY'S DRAWING No.	-	SECTION No.	18417	
ALLOY & TEMPER	HE9 WP	DRAWING No. 18417		
DESCRIPTION	HOLLOW HINGE			