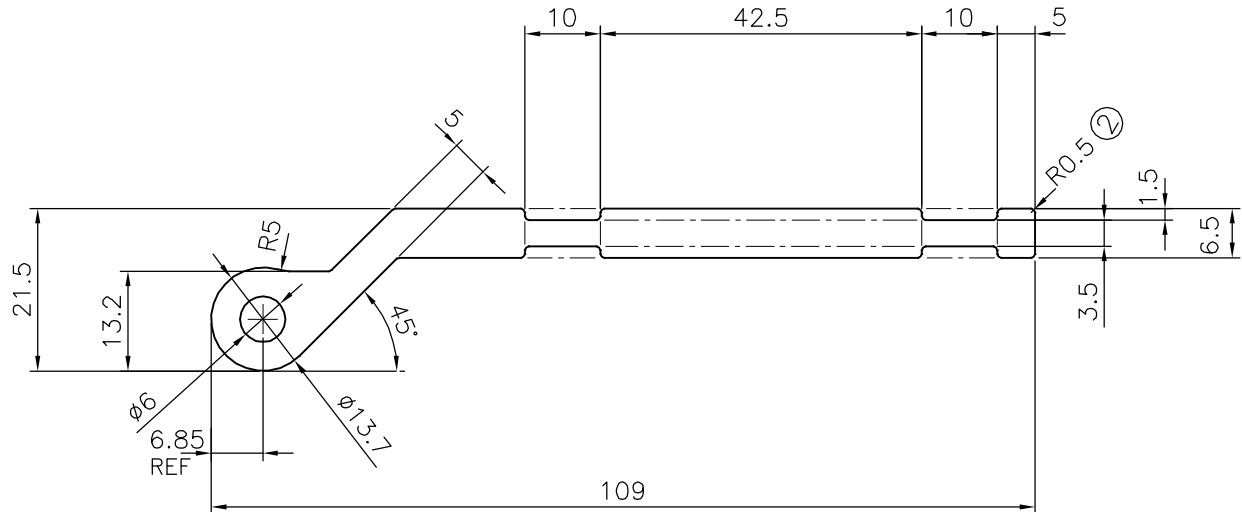
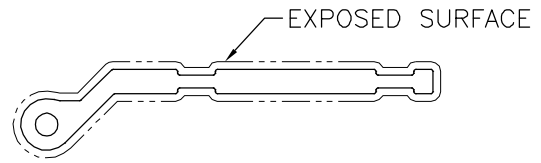


P-16487

S5163

18431

**ISSUE-2**

PROFILE SERRATION REMOVED & RADIUS CHANGED FROM 3.5 mm TO 0.5 mm
WEIGHT ALSO CHANGED FROM 1.851 kg/m TO 1.878 kg/m

TOLERANCES ON OVERALL WIDTHS & WIDTHS ACROSS FLATS OF BARS, & REGULAR SECTIONS

UPTO 6.40mm - ±0.20	UPTO 32.0mm - ±0.38	UPTO 120.0mm - ±0.85	UPTO 320.00mm - ±1.70
UPTO 10.0mm - ±0.23	UPTO 50.0mm - ±0.46	UPTO 160.0mm - ±1.02	
UPTO 12.0mm - ±0.25	UPTO 60.0mm - ±0.53	UPTO 200.0mm - ±1.14	
UPTO 16.0mm - ±0.28	UPTO 80.0mm - ±0.69	UPTO 250.0mm - ±1.40	
UPTO 25.0mm - ±0.30	UPTO 100.0mm - ±0.75	UPTO 300.0mm - ±1.65	



SYMBOL OF QUALITY
AN ISO 9001 COMPANY

JINDAL ALUMINIUM LTD.
BANGALORE-560073 (INDIA)

	NAME	DATE
DRAWN	J.P.KAUSHIK	23-01-2017
CHECKED		
APPROVED	B.NATARAJ	02-02-2017

- ALL DIMENSIONS ARE IN mm.
- ROUND OFF ALL SHARP CORNERS WITH 0.50 mm.
- TOLERANCES WILL BE AS PER IS:6477-1983, UNLESS OTHERWISE SPECIFIED

SCALE	1:1
AREA mm ²	695.387
PERIMETER mm.	249.798
WEIGHT kg/m	1.878

PARTY'S NAME VIVANT SOLUTION PVT. LTD., CHENNAI

DRAWING No. SECTION No.

PARTY'S DRAWING No. AS PER DRAWING-VIV-4010

P-16487 -

ALLOY & TEMPER 6063 T6

S5163 S5163(ISSUE-2)

18431 18431

DESCRIPTION HINGE SECTION