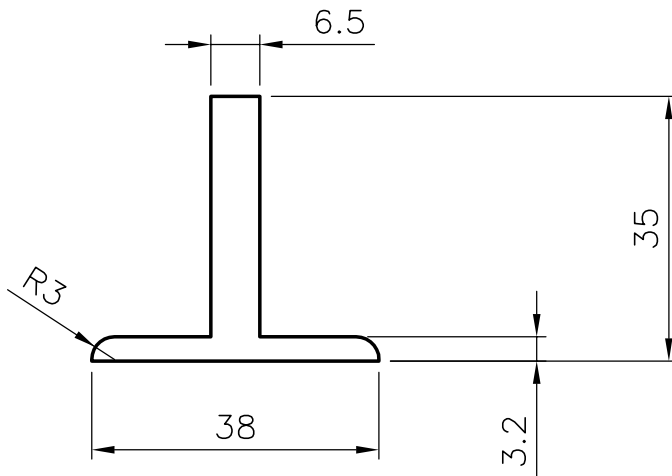



4224
18504



 SYMBOL OF QUALITY AN ISO 9002 COMPANY	JINDAL ALUMINIUM LTD. <i>BANGALORE-560073 (INDIA)</i>		NAME	DATE
		DRAWN	R.D.Sharma	27-02-01
1. ALL DIMENSIONS ARE IN mm. 2. ROUND OFF ALL SHARP CORNERS WITH 0.40 mm. 3. TOLERANCES WILL BE AS PER IS:6477-1983 UNLESS OTHERWISE SPECIFIED		CHECKED		
		APPROVED		
		SCALE	1:1	
PARTY'S NAME	—	WEIGHT kg/m	0.875	
PARTY'S DRAWING No.	—	SECTION No.	18504	
ALLOY & TEMPER	HE9 WP	DRAWING No. 18504		
DESCRIPTION	ALDROP			