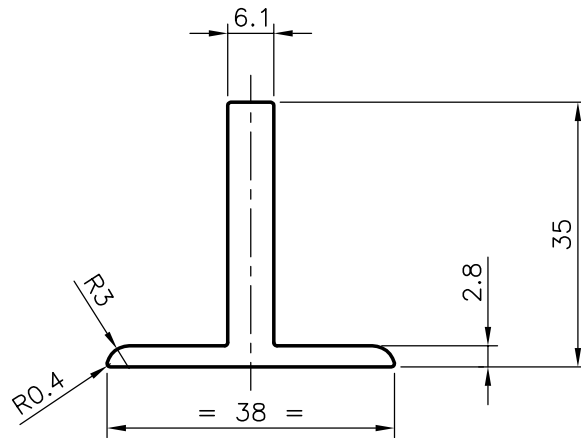



P-5295

18507



AVERAGE WEIGHT:- 2.955 kg/3658 mm

 SYMBOL OF QUALITY AN ISO 9001 COMPANY	JINDAL ALUMINIUM LTD. <i>BANGALORE-560073 (INDIA)</i>		NAME	DATE
		DRAWN	MALINGAPPA	17-02-2005
1. ALL DIMENSIONS ARE IN mm. 2. ROUND OFF ALL SHARP CORNERS WITH 0.40 mm. 3. TOLERANCES WILL BE AS PER IS: 3965-1981 UNLESS OTHERWISE SPECIFIED		CHECKED		
		APPROVED		
PARTY'S NAME GENERAL CATEGORY, DELHI MARKET.		SCALE		1:1
		AREA mm ²		299.249
PARTY'S DRAWING No. LIGHTER OF SECTION NO. 18504		PERIMETER mm.		142.52
		WEIGHT kg/m		0.808
ALLOY & TEMPER HE9 WP		DRAWING No.	SECTION No.	
		P-5295	-	
DESCRIPTION ALDROP SECTION		18507	18507	