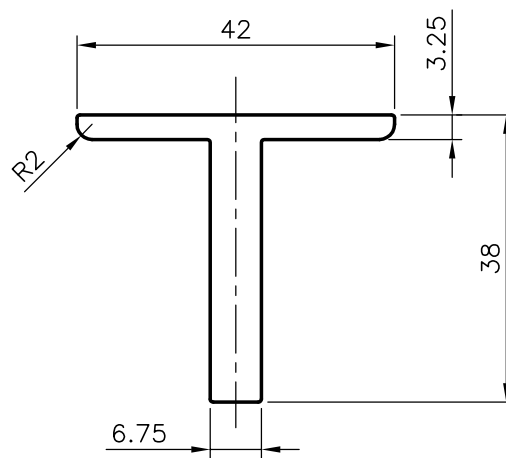


P-5296

18508



AVERAGE WEIGHT:- 3.650 Kg/3658 mm



SYMBOL OF QUALITY  
AN ISO 9001 COMPANY

**JINDAL ALUMINIUM LTD.**  
BANGALORE-560073 (INDIA)

	NAME	DATE
DRAWN	MALINGAPPA	17-02-2005
CHECKED		
APPROVED		

1. ALL DIMENSIONS ARE IN mm.
2. ROUND OFF ALL SHARP CORNERS WITH 0.40 mm.
3. TOLERANCES WILL BE AS PER IS: 3965-1981 UNLESS OTHERWISE SPECIFIED

SCALE	1:1
AREA mm <sup>2</sup>	369.28
PERIMETER mm.	157.25
WEIGHT kg/m	0.997

PARTY'S NAME	GENERAL CATEGORY, DELHI MARKET.
PARTY'S DRAWING No.	LIGHTER OF SECTION NO. 18503
ALLOY & TEMPER	HE9 WP
DESCRIPTION	ALDROP SECTION

DRAWING No.	SECTION No.
P-5296	-
18508	18508