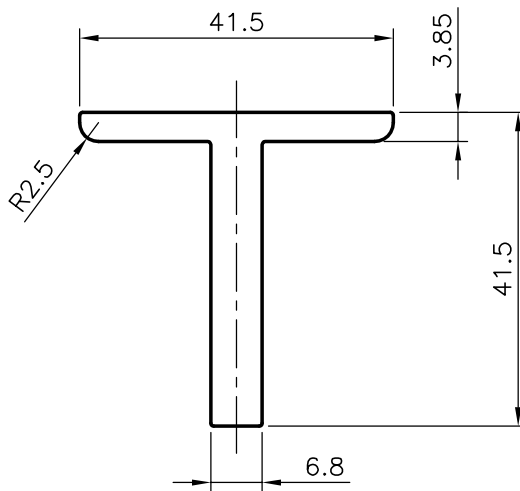



P-5297
18509



AVERAGE WEIGHT:- 4.078 kg/3658 mm

 SYMBOL OF QUALITY AN ISO 9001 COMPANY	<b>JINDAL ALUMINIUM LTD.</b> BANGALORE-560073 (INDIA)		NAME	DATE
		DRAWN	MALINGAPPA	18-02-2005
1. ALL DIMENSIONS ARE IN mm. 2. ROUND OFF ALL SHARP CORNERS WITH 0.40 mm. 3. TOLERANCES WILL BE AS PER IS: 3965-1981 UNLESS OTHERWISE SPECIFIED		CHECKED		
		APPROVED		
PARTY'S NAME GENERAL CATEGORY, DELHI MARKET.		SCALE		1:1
		AREA mm <sup>2</sup>		413.044
PARTY'S DRAWING No. LIGHTER OF SECTION NO. 18505		PERIMETER mm.		162.82
		WEIGHT kg/m		1.115
ALLOY & TEMPER HE9 WP		DRAWING No.	SECTION No.	
		P-5297	-	
DESCRIPTION ALDROP SECTION		18509	18509	