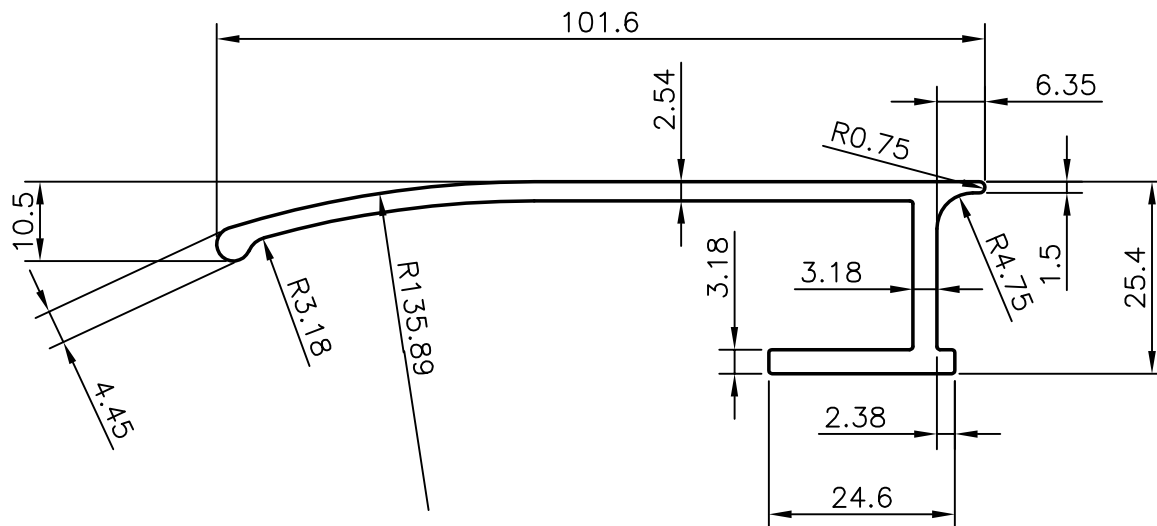


4234

14331

18553



SYMBOL OF QUALITY  
AN ISO 9002 COMPANY

**JINDAL ALUMINIUM LTD.**  
BANGALORE-560073 (INDIA)

NAME

DATE

DRAWN

R.D.Sharma 12-07-2000

CHECKED

APPROVED

SCALE

1:1

PARTY'S NAME

-

WEIGHT kg/m

1.093

PARTY'S DRAWING No.

NIL

SECTION No.

18553

ALLOY &amp; TEMPER

HE9 WP

DRAWING No.

DESCRIPTION

HANDLE SECTION

18553