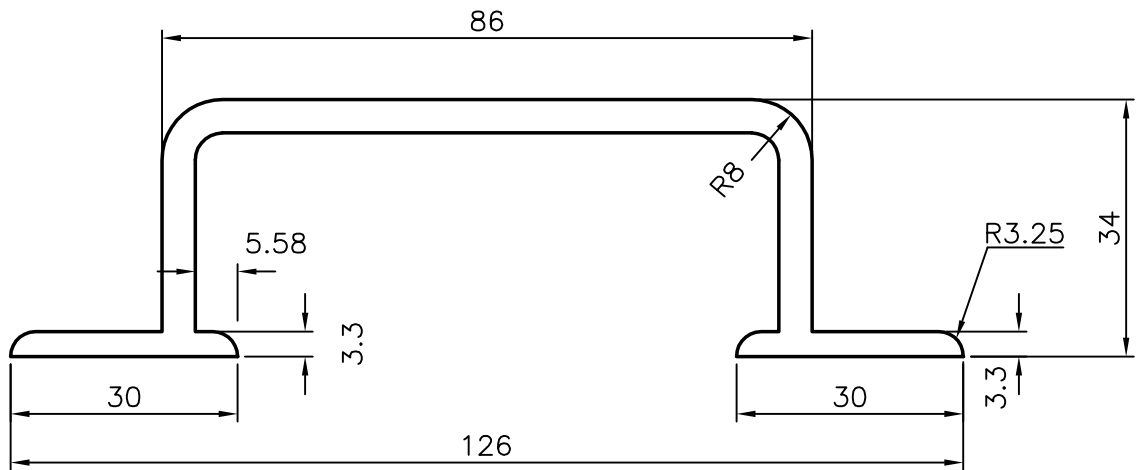



4267

14344

18573

**NOTE:—**

1. GENERAL WALL THICKNEDED = 4.42
2. WEIGHT/3658mm = 8.00 KGS (AVERAGE).

 SYMBOL OF QUALITY AN ISO 9002 COMPANY	JINDAL ALUMINIUM LTD. BANGALORE-560073 (INDIA)			NAME	DATE
				DRAWN	S.KUMAR
1. ALL DIMENSIONS ARE IN mm 2. ROUND OFF SHARP CORNERS WITH 0.4mm R 3. TOLERANCES WILL BE AS PER IS : 3965-1981				CHECKED	
				APPROVED	
PARTY'S NAME				SCALE	1:1
PARTY'S DRAWING No.				WEIGHT kg/m	2.104
ALLOY & TEMPER		HE 9 WP	FINISH	SECTION No.	18573
DESCRIPTION		HANDLE SECTION		DRAWING No. 18573	