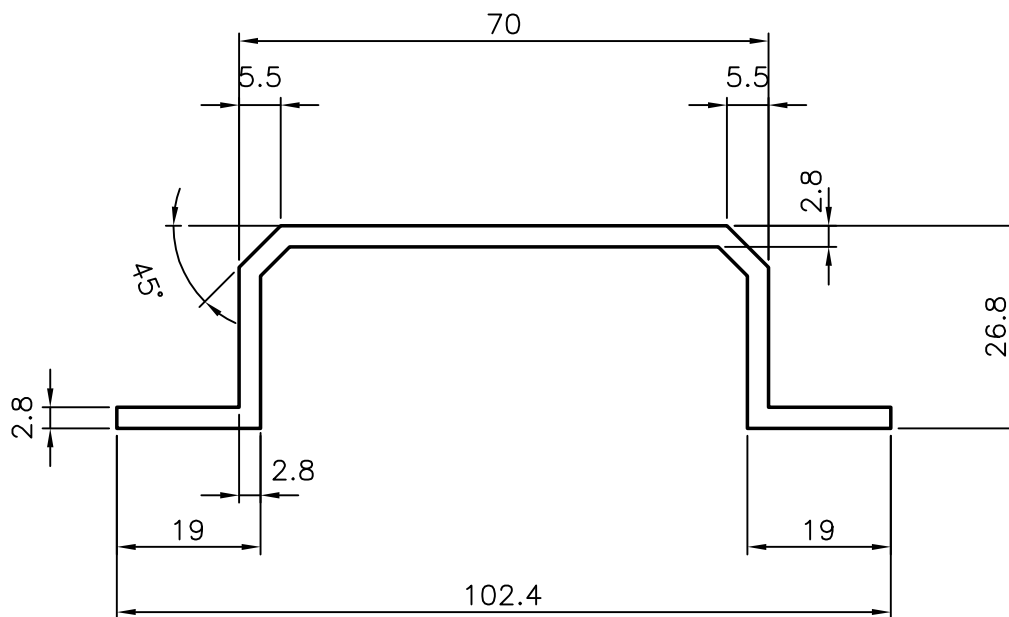



4270

18576



 SYMBOL OF QUALITY AN ISO 9002 COMPANY	JINDAL ALUMINIUM LTD. BANGALORE-560073 (INDIA)				NAME	DATE
				DRAWN	PRASAD	14-3-85
1. ALL DIMENSIONS ARE IN mm 2. ROUND OFF SHARP CORNERS WITH 0.4mm R 3. TOLERANCES WILL BE AS PER IS : 3965-1981				CHECKED		
				APPROVED		
PARTY'S NAME				SCALE		1:1
				WEIGHT kg/m		1.074
PARTY'S DRAWING No.	GENERAL CATEGORY	FINISH	AS EXTRUDED	SECTION No.		18576
ALLOY & TEMPER	HE 9 WP	LENGTH:	3658mm.	DRAWING No.		
DESCRIPTION	HANDLE SECTION			18576		