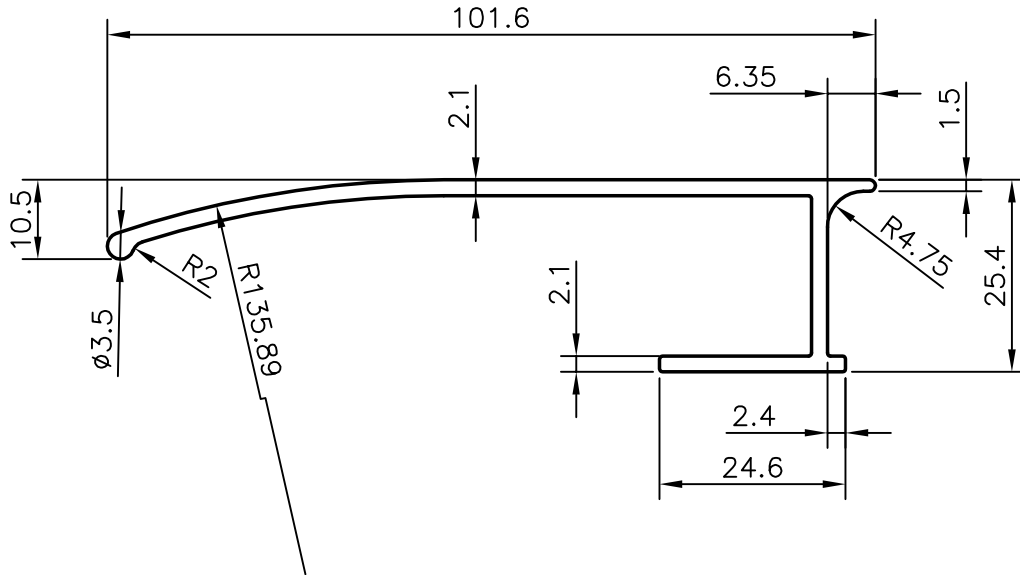



4500
14322
18604



GENERAL WALL THICKNESS = 2.10 mm
 3658mm LONG PIECES IN 100 kgs:- 32 (AVERAGE)

 SYMBOL OF QUALITY AN ISO 9001 COMPANY	JINDAL ALUMINIUM LTD. BANGALORE-560073 (INDIA)	NAME		DATE
		DRAWN	PRASANNA.H.	21-12-2006
1. ALL DIMENSIONS ARE IN mm. 2. ROUND OFF ALL SHARP CORNERS WITH 0.40 mm. 3. TOLERANCES WILL BE AS PER IS:3965-1981 UNLESS OTHERWISE SPECIFIED		CHECKED		
		APPROVED		
PARTY'S NAME		SCALE		1:1
		AREA mm ²		315.495
PARTY'S DRAWING No.		PERIMETER mm.		297.4
		WEIGHT kg/m		0.852
ALLOY & TEMPER		DRAWING No.		SECTION No.
		4500		4500
DESCRIPTION		14322		14322
		18604		18604
HE9 WP				
HANDLE SECTION				