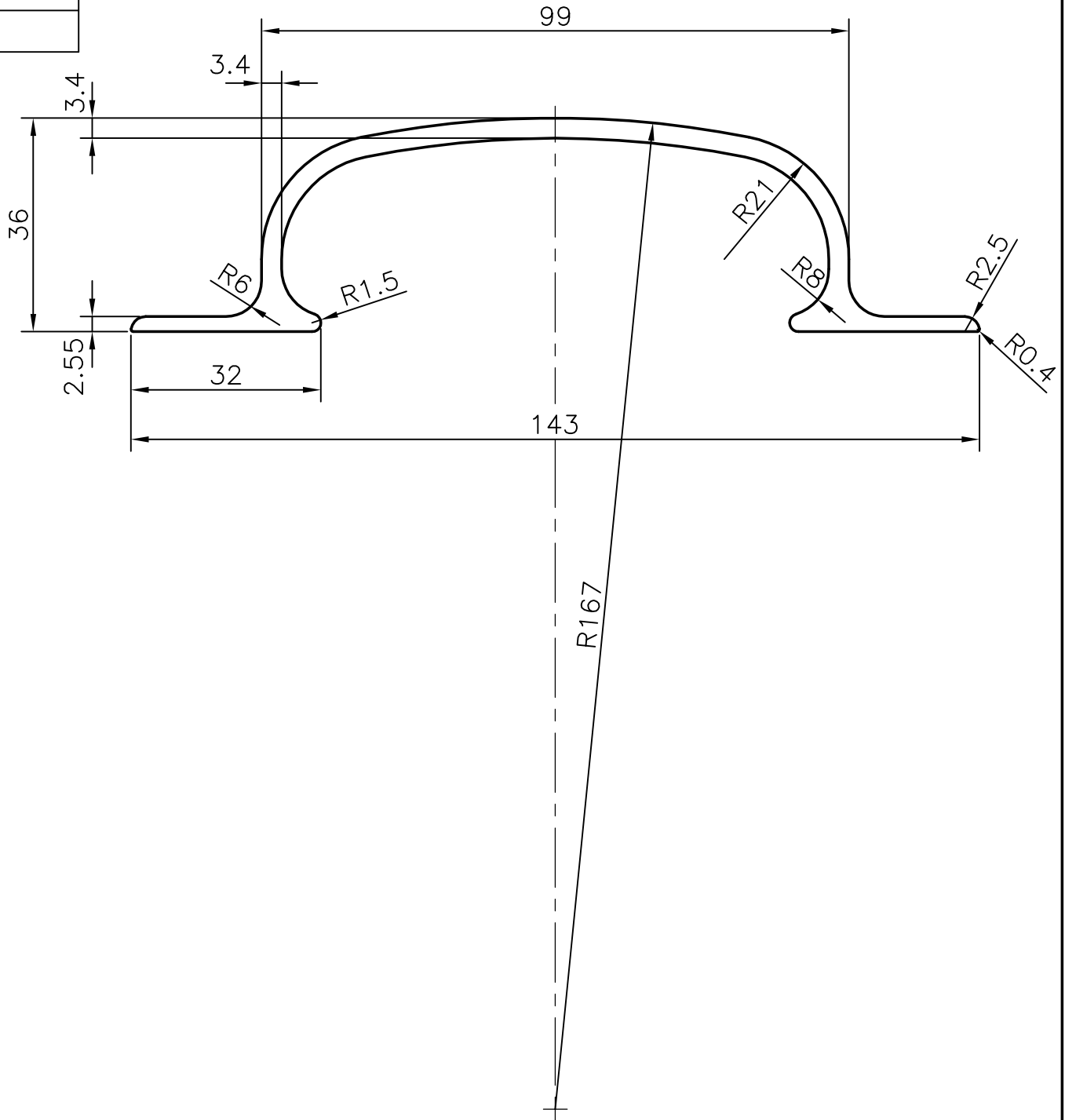


P-4204

14357

18615

WEIGHT PER PIECE (12') :- 6.500-6.700 kg



SYMBOL OF QUALITY
AN ISO 9002 COMPANY

JINDAL ALUMINIUM LTD.
BANGALORE-560073 (INDIA)

	NAME	DATE
DRAWN	R.D.Sharma	25-04-2003
CHECKED		
APPROVED		

1. ALL DIMENSIONS ARE IN mm.
2. ROUND OFF ALL SHARP CORNERS WITH 0.40 mm.
3. TOLERANCES WILL BE AS PER IS 3965-1981 UNLESS OTHERWISE SPECIFIED

SCALE	1:1
AREA mm ²	668.6
PERIMETER mm.	389.8
WEIGHT kg/m	1.805

PARTY'S NAME	GENERAL CATEGORY, DELHI MARKET	DRAWING No.	SECTION No.
PARTY'S DRAWING No.	LIGHTER OF SECTION NO. 18608	P-4204	-
ALLOY & TEMPER	HE9 WP	14357	14357
DESCRIPTION	'C' HANDLE SECTION	18615	18615