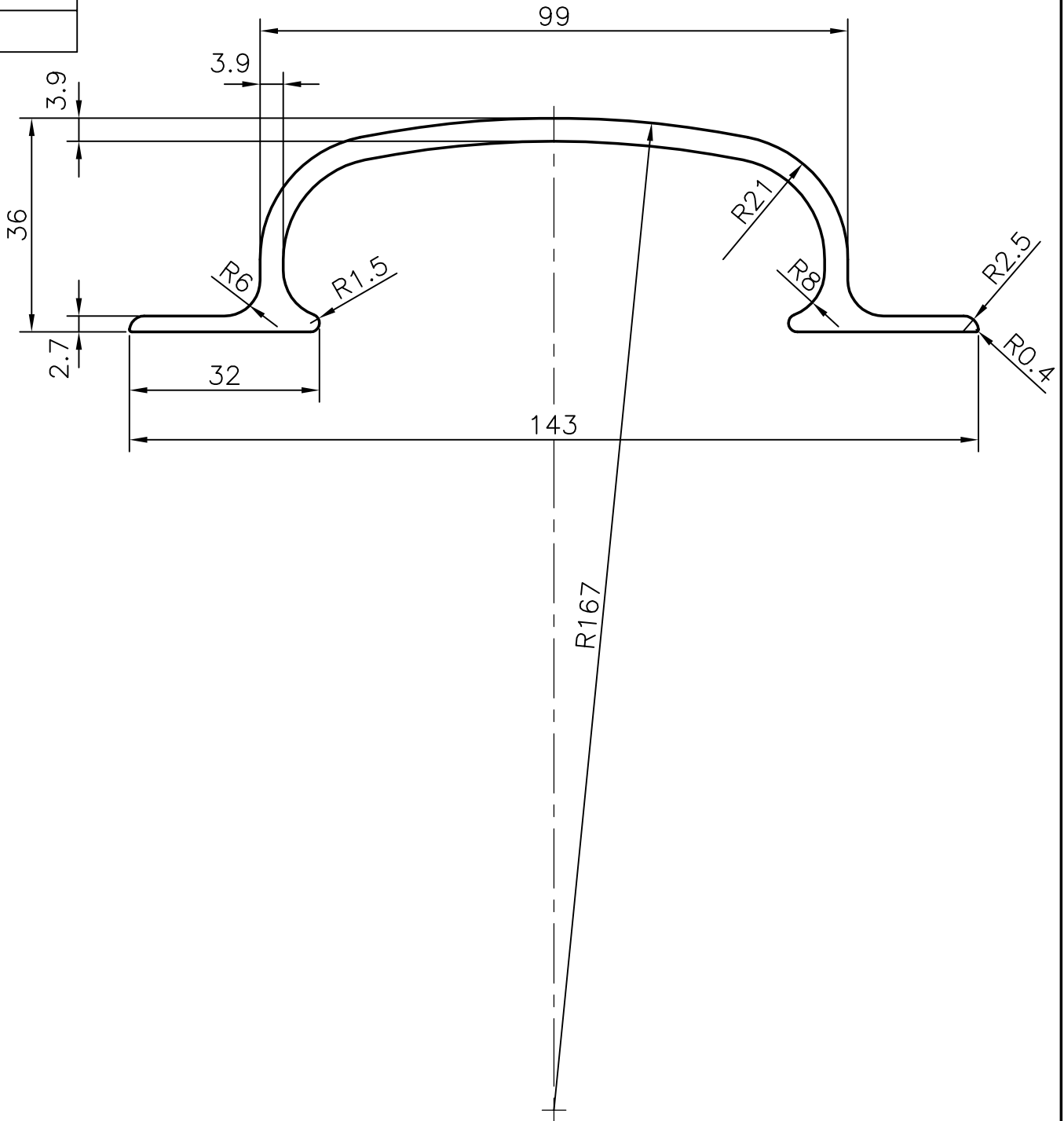


P-4205
14358
18616

WEIGHT PER PIECE (12') :- 7.200-7.400 kg



SYMBOL OF QUALITY
AN ISO 9002 COMPANY

JINDAL ALUMINIUM LTD.
BANGALORE-560073 (INDIA)

	NAME	DATE
DRAWN	R.D.Sharma	25-04-2003
CHECKED		
APPROVED		
SCALE		1:1
AREA mm ²		738.5
PERIMETER mm.		387.4
WEIGHT kg/m		1.994
DRAWING No.	SECTION No.	
P-4205	-	
14358	14358	
18616	18616	

1. ALL DIMENSIONS ARE IN mm.
2. ROUND OFF ALL SHARP CORNERS WITH 0.40 mm.
3. TOLERANCES WILL BE AS PER IS 3965-1981 UNLESS OTHERWISE SPECIFIED

PARTY'S NAME	GENERAL CATEGORY, DELHI MARKET
PARTY'S DRAWING No.	HEAVIER OF SECTION NO. 18608
ALLOY & TEMPER	HE9 WP
DESCRIPTION	'C' HANDLE SECTION