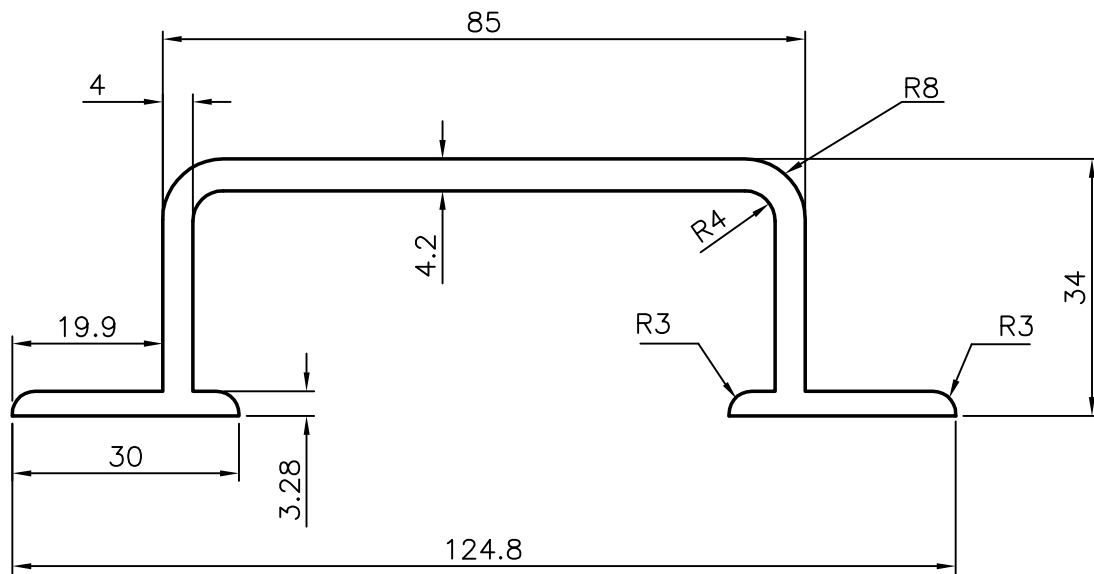


P-4217

14360

18618



WEIGHT PER PIECE (12') 7.200 TO 7.400 Kg.



SYMBOL OF QUALITY  
AN ISO 9002 COMPANY

**JINDAL ALUMINIUM LTD.**  
BANGALORE-560073 (INDIA)

	NAME	DATE
DRAWN	SUDIP ROY	02-05-2003
CHECKED		
APPROVED		
SCALE		1:1
AREA mm <sup>2</sup>		737.633
PERIMETER mm.		386.149
WEIGHT kg/m		1.992
DRAWING No.	SECTION No.	
P-4217	-	
14360	14360	
18618	18618	

1. ALL DIMENSIONS ARE IN mm.
2. ROUND OFF ALL SHARP CORNERS WITH 0.40 mm.
3. TOLERANCES WILL BE AS PER IS 3965-1981 UNLESS OTHERWISE SPECIFIED

PARTY'S NAME	GENERAL CATEGORY, DELHI MARKET
PARTY'S DRAWING No.	AS PER SAMPLE 12 (LIGHTER OF SEC. No. 18564)
ALLOY & TEMPER	HE9 WP
DESCRIPTION	"D" HANDLE