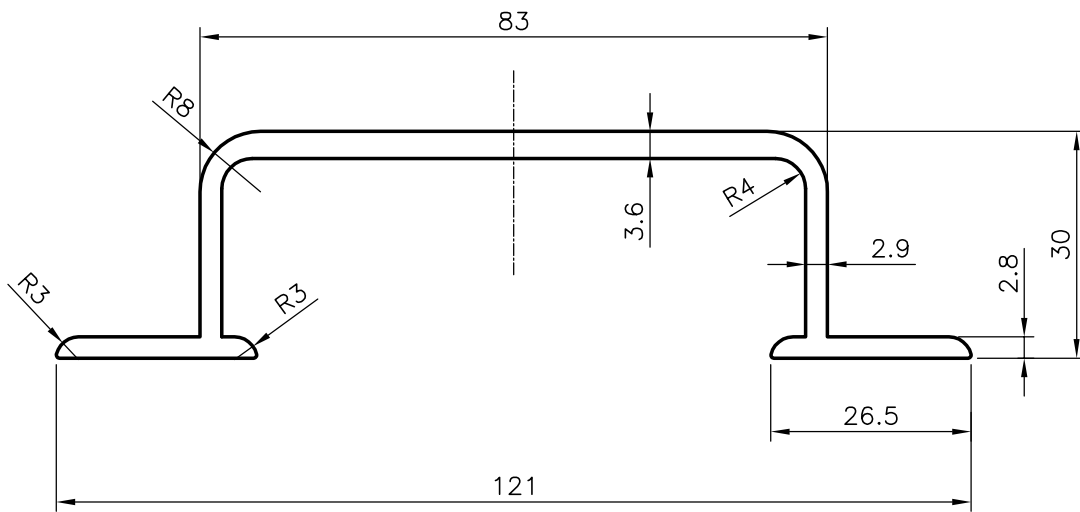



|        |
|--------|
| P-4774 |
| 14366  |
| 18624  |



WEIGHT PER 3658mm LONG PIECE.:– 5.500 kg (AVERAGE)

|  |  |                      |                        |
|--|--|----------------------|------------------------|
| <br>SYMBOL OF QUALITY<br>AN ISO 9002 COMPANY                      | <b>JINDAL ALUMINIUM LTD.</b><br>BANGALORE-560073 (INDIA) | NAME                 | DATE                   |
|  |  | DRAWN                | RAGHAVENDRA 05-03-2004 |
| 1. ALL DIMENSIONS ARE IN mm.<br>2. ROUND OFF ALL SHARP CORNERS WITH 0.40 mm.<br>3. TOLERANCES WILL BE AS PER IS:3965-1981 UNLESS OTHERWISE SPECIFIED |  | CHECKED              |                        |
|  |  | APPROVED             |                        |
| PARTY'S NAME<br>GENERAL CATEGORY , DELHI MARKET  |  | SCALE                | 1:1                    |
|  |  | AREA mm <sup>2</sup> | 556.336                |
| PARTY'S DRAWING No.<br>LIGHTER OF 6651 (14323)   |  | PERIMETER mm.        | 357.321                |
|  |  | WEIGHT kg/m          | 1.502                  |
| ALLOY & TEMPER<br>HE9 WP   |  | DRAWING No.          | SECTION No.            |
|  |  | P-4774               | –                      |
| DESCRIPTION<br>HANDLE SECTION  |  | 14366                | 14366                  |
|  |  | 18624                | 18624                  |