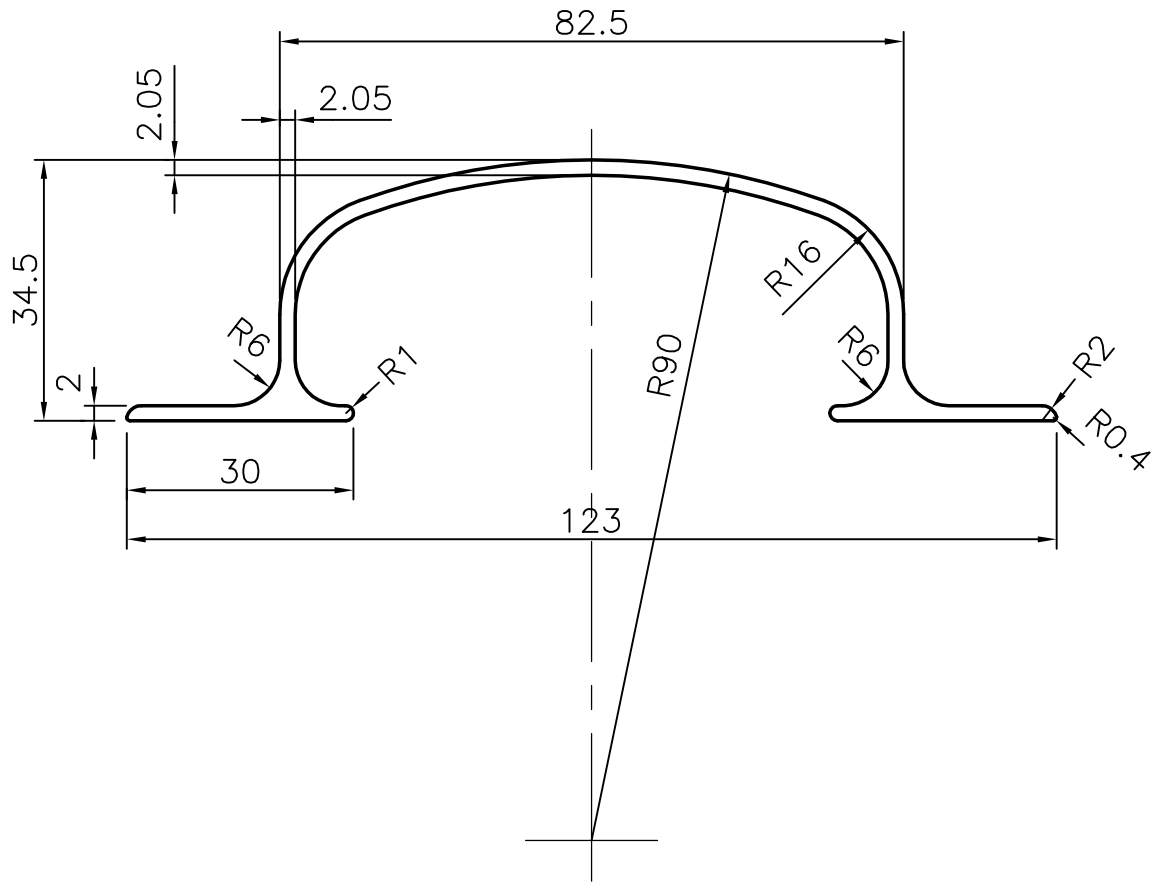


P-5313-1

18635



AVERAGE WEIGHT:- 3.946 kg/ 3658 mm.



SYMBOL OF QUALITY  
AN ISO 9001 COMPANY

**JINDAL ALUMINIUM LTD.**  
BANGALORE-560073 (INDIA)

|          | NAME       | DATE       |
|----------|------------|------------|
| DRAWN    | MALINGAPPA | 01.03.2005 |
| CHECKED  |            |            |
| APPROVED |            |            |

1. ALL DIMENSIONS ARE IN mm.
2. ROUND OFF ALL SHARP CORNERS WITH 0.40 mm.
3. TOLERANCES WILL BE AS PER IS: 3965-1981 UNLESS OTHERWISE SPECIFIED

|                      |         |
|----------------------|---------|
| SCALE                | 1:1     |
| AREA mm <sup>2</sup> | 399.511 |
| PERIMETER mm.        | 355.38  |
| WEIGHT kg/m          | 1.079   |

|                     |                                |             |          |             |       |
|---------------------|--------------------------------|-------------|----------|-------------|-------|
| PARTY'S NAME        | GENERAL CATEGORY, DELHI MARKET | DRAWING No. | P-5313-1 | SECTION No. | -     |
| PARTY'S DRAWING No. | LIGHTER OF SECTION NO.18611    |             | 18635    |             | 18635 |
| ALLOY & TEMPER      | HE9 WP                         |             |          |             |       |
| DESCRIPTION         | 'C' HANDLE SECTION             |             |          |             |       |