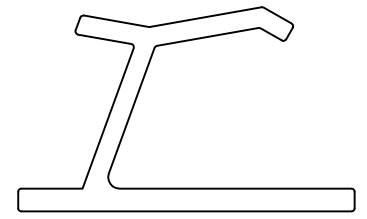


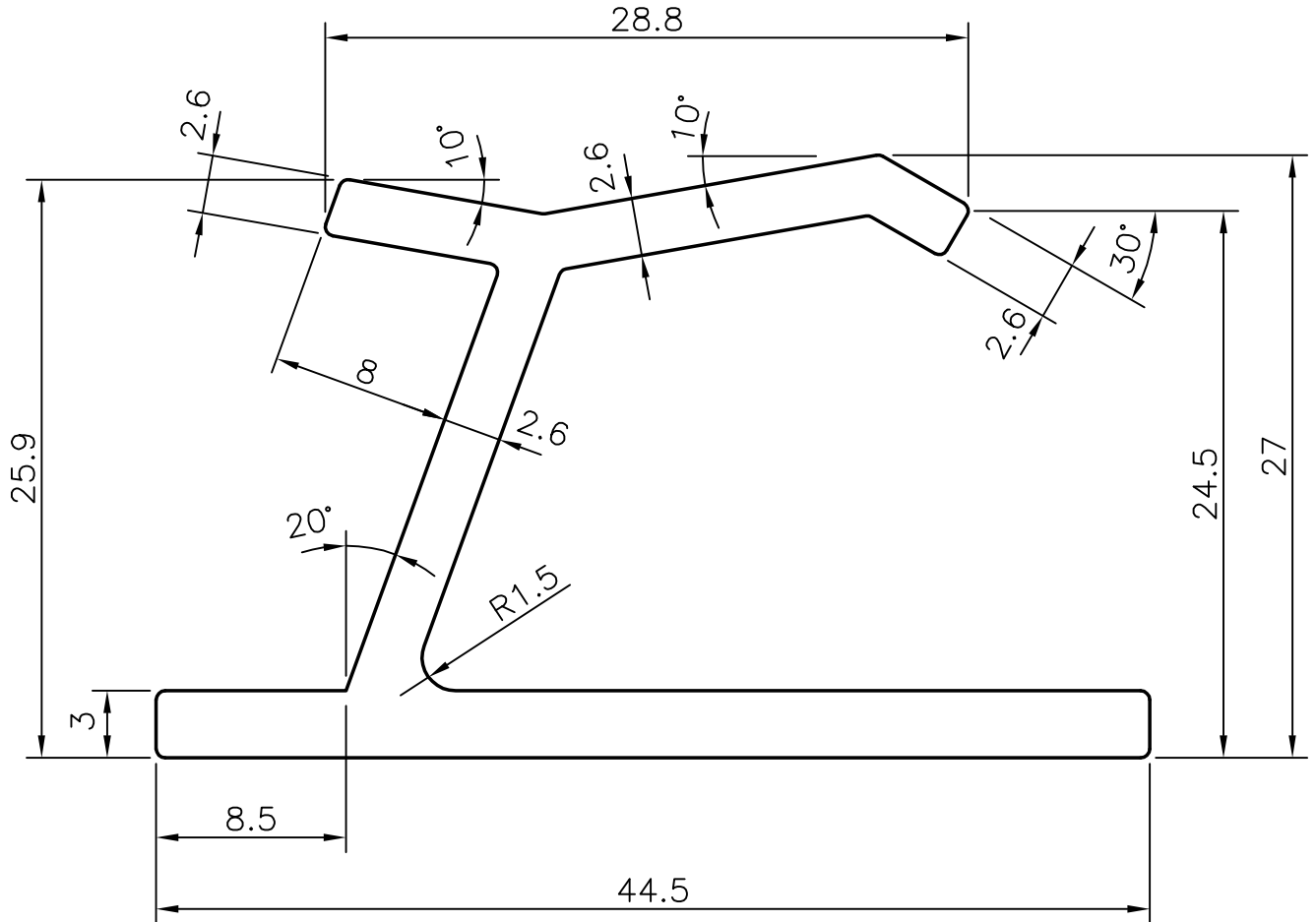
P-4098-1

S975

18641



1:1



SYMBOL OF QUALITY
AN ISO 9002 COMPANY

JINDAL ALUMINIUM LTD.
BANGALORE-560073 (INDIA)

	NAME	DATE
DRAWN	R.D.Sharma	04-02-03
CHECKED		
APPROVED		

1. ALL DIMENSIONS ARE IN mm.
2. ROUND OFF ALL SHARP CORNERS WITH 0.40 mm.
3. TOLERANCES WILL BE AS PER IS: 3965-1981 UNLESS OTHERWISE SPECIFIED

SCALE	3:1
AREA mm ²	261.8
PERIMETER mm.	189.8
WEIGHT kg/m	0.707
SECTION No.	18641
DRAWING No.	18641

PARTY'S NAME	MAHENDRA ALUMINIUM INDUSTRIES,MANDYA
PARTY'S DRAWING No.	AS PER SAMPLE
ALLOY & TEMPER	HE9 WP
DESCRIPTION	DRAWER HANDLE SECTION