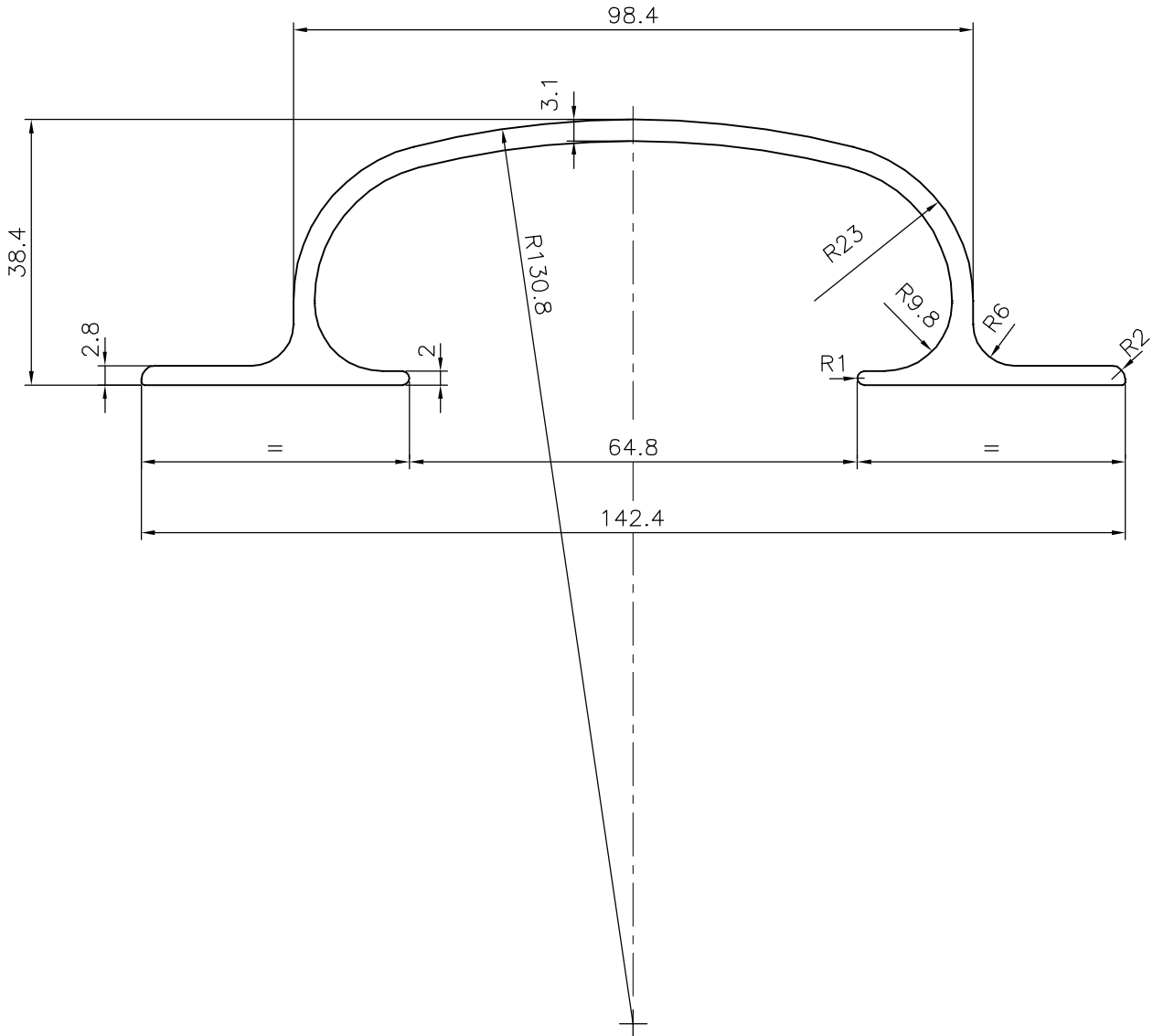


P-18835

18650



SYMBOL OF QUALITY
AN ISO 9001 COMPANY

JINDAL ALUMINIUM LTD.
BANGALORE-560073 (INDIA)

| | NAME | DATE |
|----------|-------------|------------|
| DRAWN | J.P.KAUSHIK | 08-11-2018 |
| CHECKED | | |
| APPROVED | B.NATARAJA | 16-11-2018 |

1. ALL DIMENSIONS ARE IN mm.
2. ROUND OFF ALL SHARP CORNERS WITH 0.40 mm.
3. TOLERANCES WILL BE AS PER IS:3965-1981 UNLESS OTHERWISE SPECIFIED

| | |
|----------------------|---------|
| SCALE | 1:1 |
| AREA mm ² | 680.451 |
| PERIMETER mm. | 420.965 |
| WEIGHT kg/m | 1.837 |

| | |
|---------------------|--------------------------------|
| PARTY'S NAME | GENERAL CATEGORY, DELHI MARKET |
| PARTY'S DRAWING No. | AS PER DRAWING |
| ALLOY & TEMPER | HE9 WP A3D |
| DESCRIPTION | HANDEL SECTION |

| DRAWING No. | SECTION No. |
|-------------|-------------|
| P-18835 | |
| 18650 | 18650 |
| | |
| | |