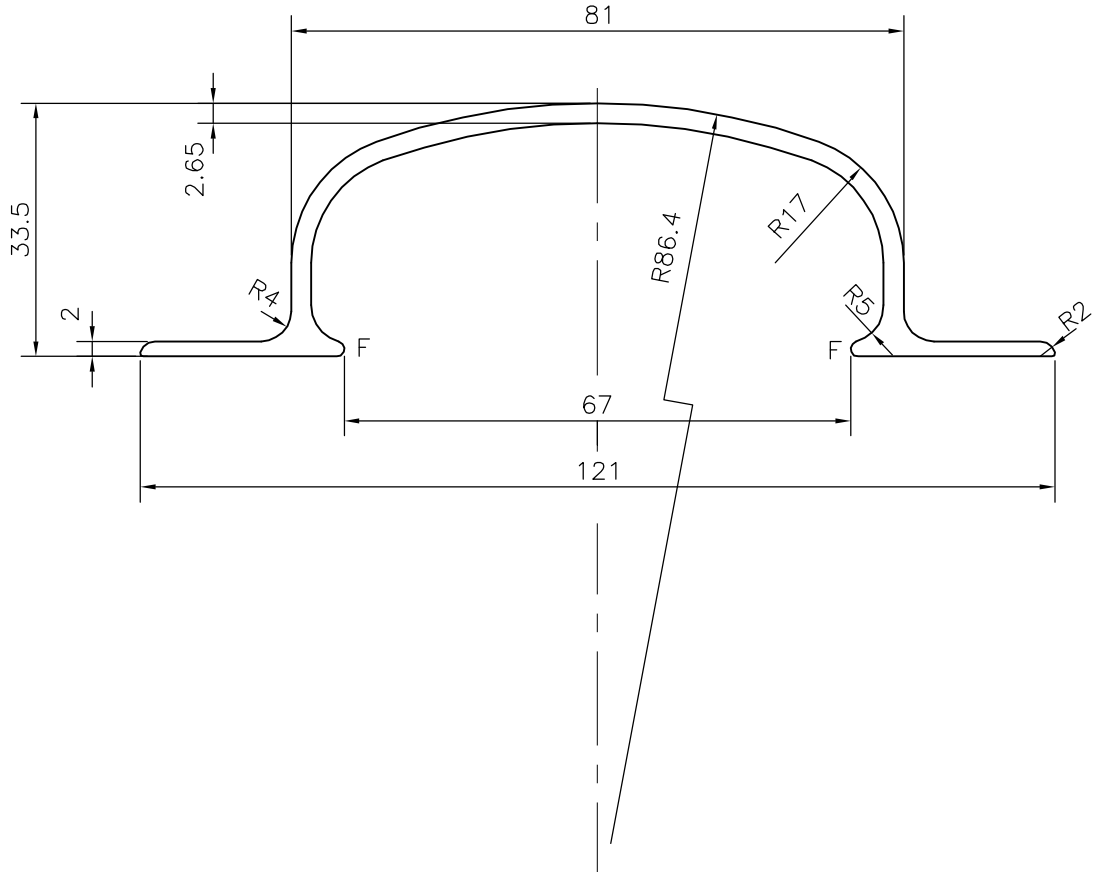


P-18837

18651



F = FULL RADIUS (2 PLACES)



SYMBOL OF QUALITY
AN ISO 9001 COMPANY

JINDAL ALUMINIUM LTD.
BANGALORE-560073 (INDIA)

	NAME	DATE
DRAWN	DARPAN	08-11-2018
CHECKED		
APPROVED	B.NATARAJA	16-11-2018
SCALE		1:1
AREA mm ²		433.961
PERIMETER mm.		335.695
WEIGHT kg/m		1.172
DRAWING No.	SECTION No.	
P-18837	-	
18651	18651	

1. ALL DIMENSIONS ARE IN mm.
2. ROUND OFF ALL SHARP CORNERS WITH 0.40 mm.
3. TOLERANCES WILL BE AS PER IS:3965-1981 , UNLESS OTHERWISE SPECIFIED

PARTY'S NAME	GENERAL CATEGORY, DELHI MARKET
PARTY'S DRAWING No.	AS PER DRAWING
ALLOY & TEMPER	HE9 WP A3D
DESCRIPTION	HANDLE SECTION