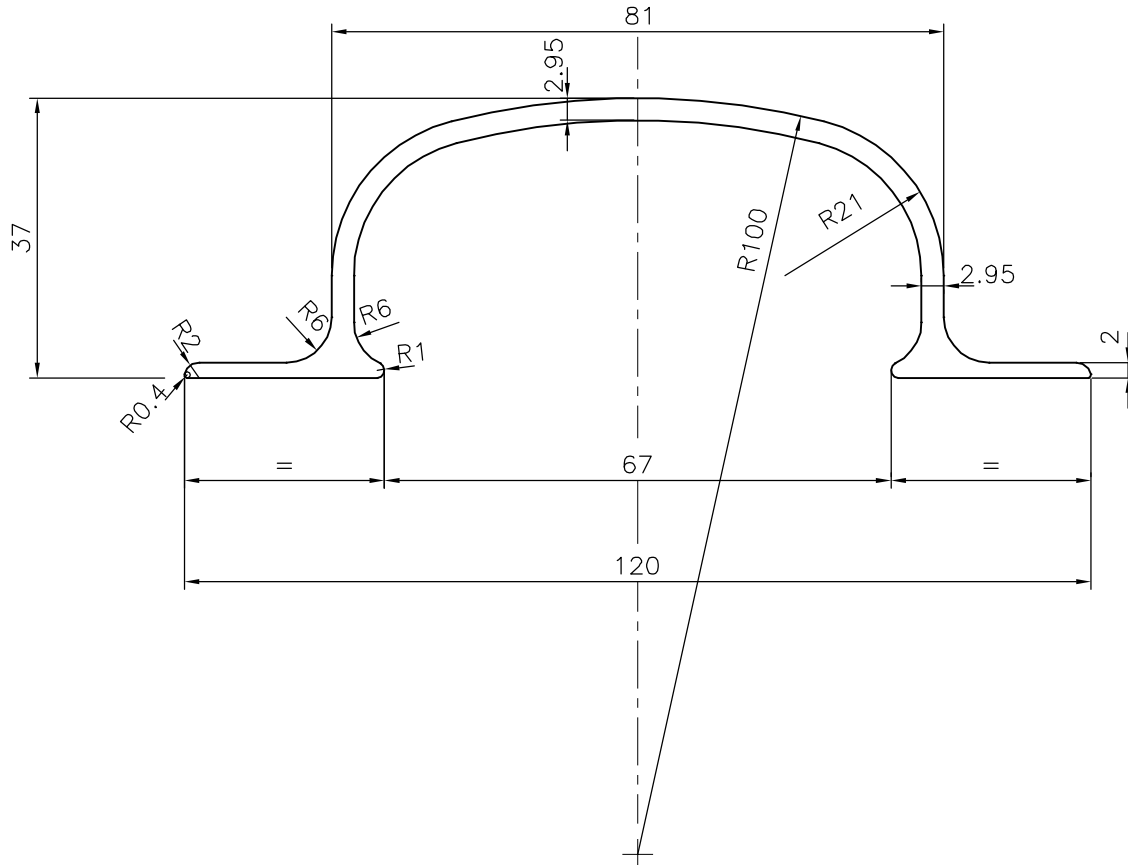


P-18480-1

X2372

18653



SYMBOL OF QUALITY  
AN ISO 9001 COMPANY

**JINDAL ALUMINIUM LTD.**  
BANGALORE-560073 (INDIA)

	NAME	DATE
DRAWN	J.P.KAUSHIK	26-07-2018
CHECKED		
APPROVED	B.NATARAJA	27-07-2018
SCALE		1:1
AREA mm <sup>2</sup>		494.388
PERIMETER mm.		342.945
WEIGHT kg/m		1.335
DRAWING No.	SECTION No.	
P-18480-1		
X2372	X2372	
18653	18653	

1. ALL DIMENSIONS ARE IN mm.
2. ROUND OFF ALL SHARP CORNERS WITH 0.40 mm.
3. TOLERANCES WILL BE AS PER IS:3965-1981 UNLESS OTHERWISE SPECIFIED

PARTY'S NAME	PREMIER SALES CORPORATION, NEW DELHI
PARTY'S DRAWING No.	AS PER SAMPLE & REQUIREMENT
ALLOY & TEMPER	HE9 WP A3D
DESCRIPTION	HANDAL SECTION