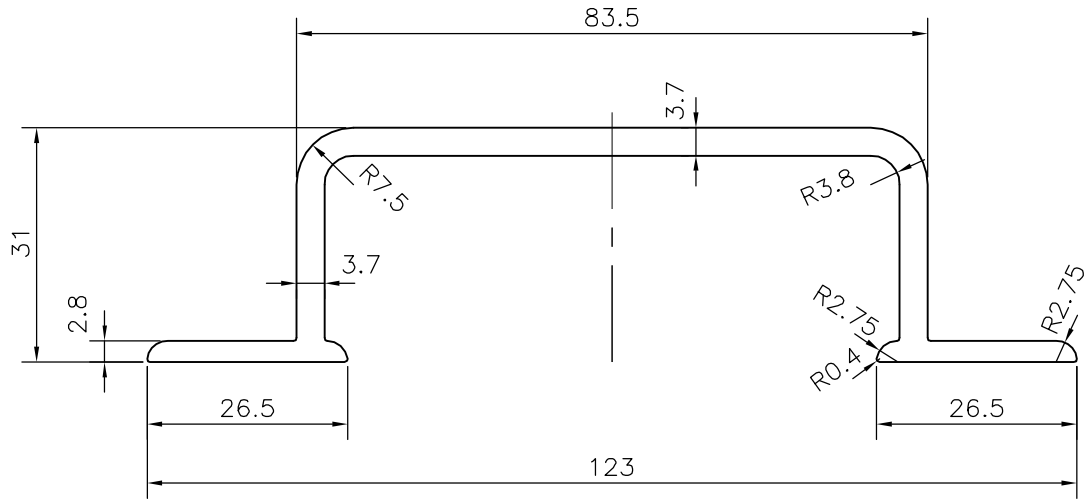


P-18744

X2431

18655



SYMBOL OF QUALITY
AN ISO 9001 COMPANY

JINDAL ALUMINIUM LTD.
BANGALORE-560073 (INDIA)

	NAME	DATE
DRAWN	DARPAN	11-10-2018
CHECKED		
APPROVED	B.NATARAJA	04-12-2018
SCALE		1:1
AREA mm ²		614.465
PERIMETER mm.		359.11
WEIGHT kg/m		1.659
DRAWING No.	SECTION No.	
P-18744	-	
X2431	X2431	
18655	18655	

1. ALL DIMENSIONS ARE IN mm.
2. ROUND OFF ALL SHARP CORNERS WITH 0.40 mm.
3. TOLERANCES WILL BE AS PER IS:3965-1981 , UNLESS OTHERWISE SPECIFIED

PARTY'S NAME	PREMIER SALES CORPORATION, NEW DELHI.
PARTY'S DRAWING No.	AS PER SAMPLE
ALLOY & TEMPER	HE9 WP A3D
DESCRIPTION	HANDLE SECTION