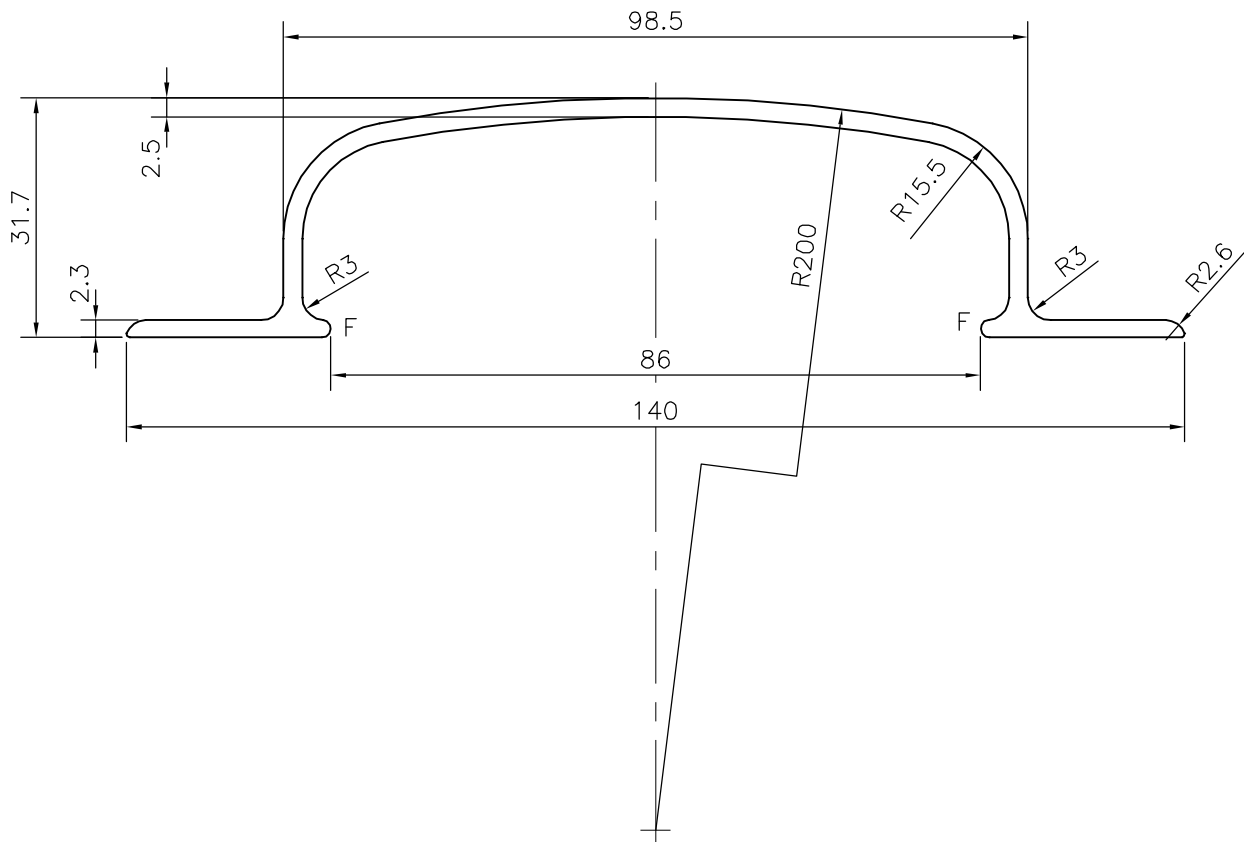


P-18828

X2463

18656



F = FULL RADIUS (2 PLACES)



SYMBOL OF QUALITY
AN ISO 9001 COMPANY

JINDAL ALUMINIUM LTD.
BANGALORE-560073 (INDIA)

	NAME	DATE
DRAWN	DARPAN	03-11-2018
CHECKED		
APPROVED	B.NATARAJA	28-12-2018
SCALE		1:1
AREA mm ²		463.877
PERIMETER mm.		371.173
WEIGHT kg/m		1.252
DRAWING No.	SECTION No.	
P-18828	-	
X2463	X2463	
18656	18656	

1. ALL DIMENSIONS ARE IN mm.
2. ROUND OFF ALL SHARP CORNERS WITH 0.40 mm.
3. TOLERANCES WILL BE AS PER IS:3965-1981 , UNLESS OTHERWISE SPECIFIED

PARTY'S NAME ALUMINIUM TRADING COMPANY. DELHI

PARTY'S DRAWING No. AS PER DRAWING

ALLOY & TEMPER HE9 WP A3D

DESCRIPTION HANDLE SECTION