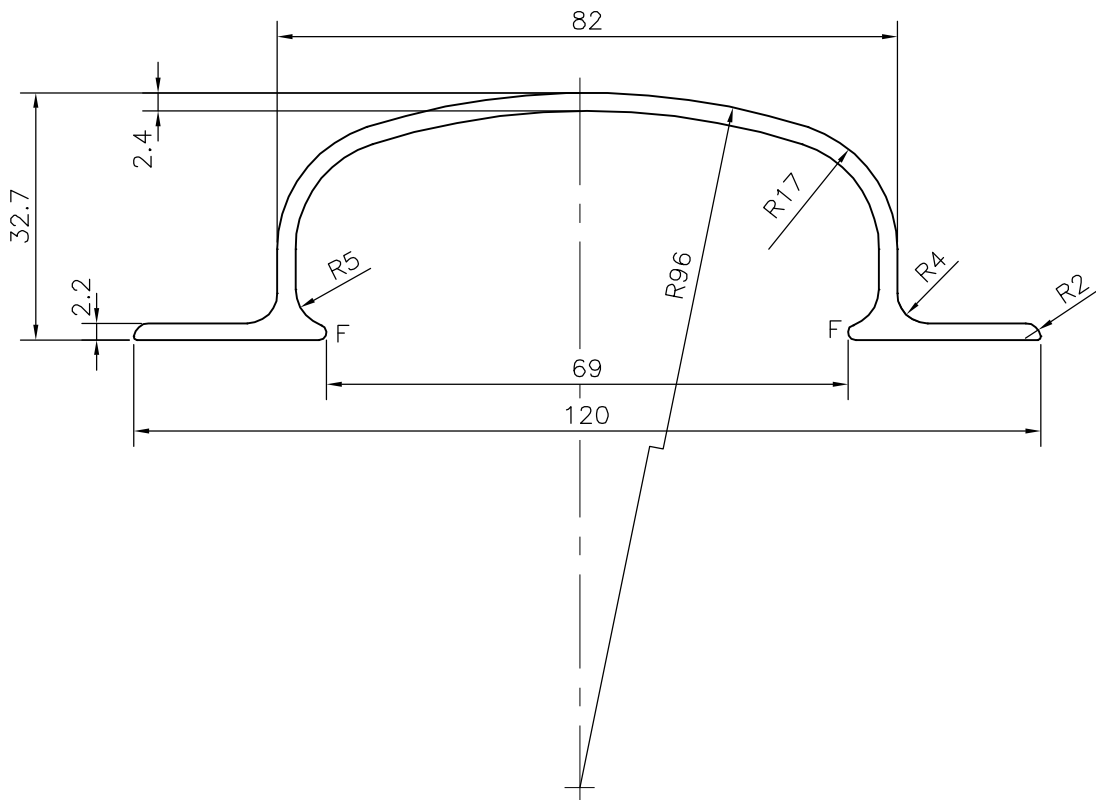


P-18829

X2464

18657



F = FULL RADIUS (2 PLACES)



SYMBOL OF QUALITY
AN ISO 9001 COMPANY

JINDAL ALUMINIUM LTD.
BANGALORE-560073 (INDIA)

	NAME	DATE
DRAWN	DARPAN	03-11-2018
CHECKED		
APPROVED	B.NATARAJA	28-12-2018
SCALE		1:1
AREA mm ²		406.249
PERIMETER mm.		330.953
WEIGHT kg/m		1.097
DRAWING No.	SECTION No.	
P-18829	-	
X2464	X2464	
18657	18657	

1. ALL DIMENSIONS ARE IN mm.
2. ROUND OFF ALL SHARP CORNERS WITH 0.40 mm.
3. TOLERANCES WILL BE AS PER IS:3965-1981 , UNLESS OTHERWISE SPECIFIED

PARTY'S NAME	ALUMINIUM TRADING COMPANY. DELHI
PARTY'S DRAWING No.	AS PER SAMPLE
ALLOY & TEMPER	HE9 WP A3D
DESCRIPTION	HANDLE SECTION