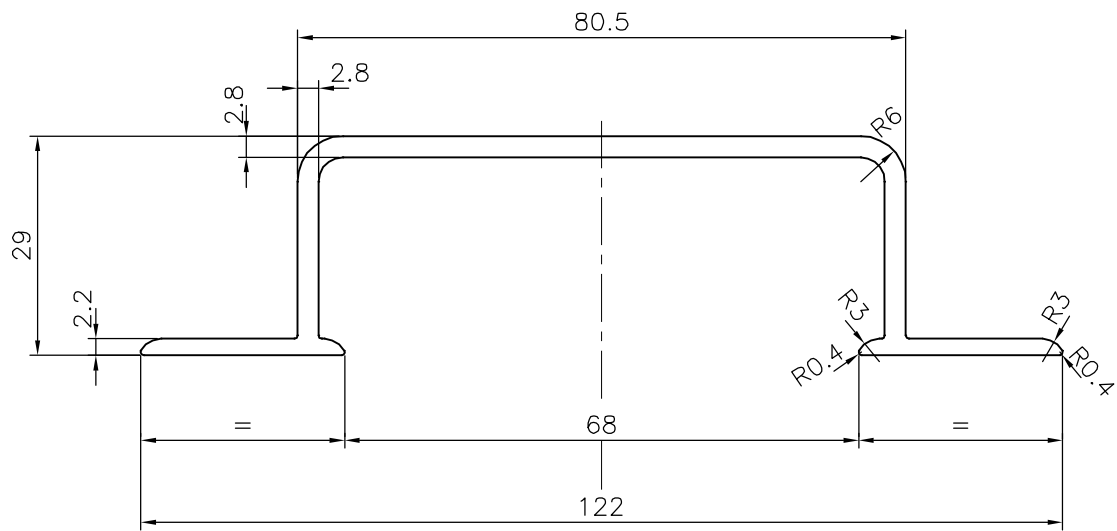


P-19265

X2487

18661



SYMBOL OF QUALITY
AN ISO 9001 COMPANY

JINDAL ALUMINIUM LTD.
BANGALORE-560073 (INDIA)

	NAME	DATE
DRAWN	J.P.KAUSHIK	11-03-2019
CHECKED		
APPROVED	B.NATARAJA	13-03-2019
SCALE		1:1
AREA mm ²		462.314
PERIMETER mm.		354.764
WEIGHT kg/m		1.248
DRAWING No.	SECTION No.	
P-19265		
X2487	X2487	
18661	18661	

1. ALL DIMENSIONS ARE IN mm.
2. ROUND OFF ALL SHARP CORNERS WITH 0.40 mm.
3. TOLERANCES WILL BE AS PER IS:3965-1981 UNLESS OTHERWISE SPECIFIED

PARTY'S NAME	ATCO ALUMINIUM SYSTEMS, NEW DELHI
PARTY'S DRAWING No.	AS PER DRAWING
ALLOY & TEMPER	HE9 WP A3D
DESCRIPTION	HANDLE SECTION