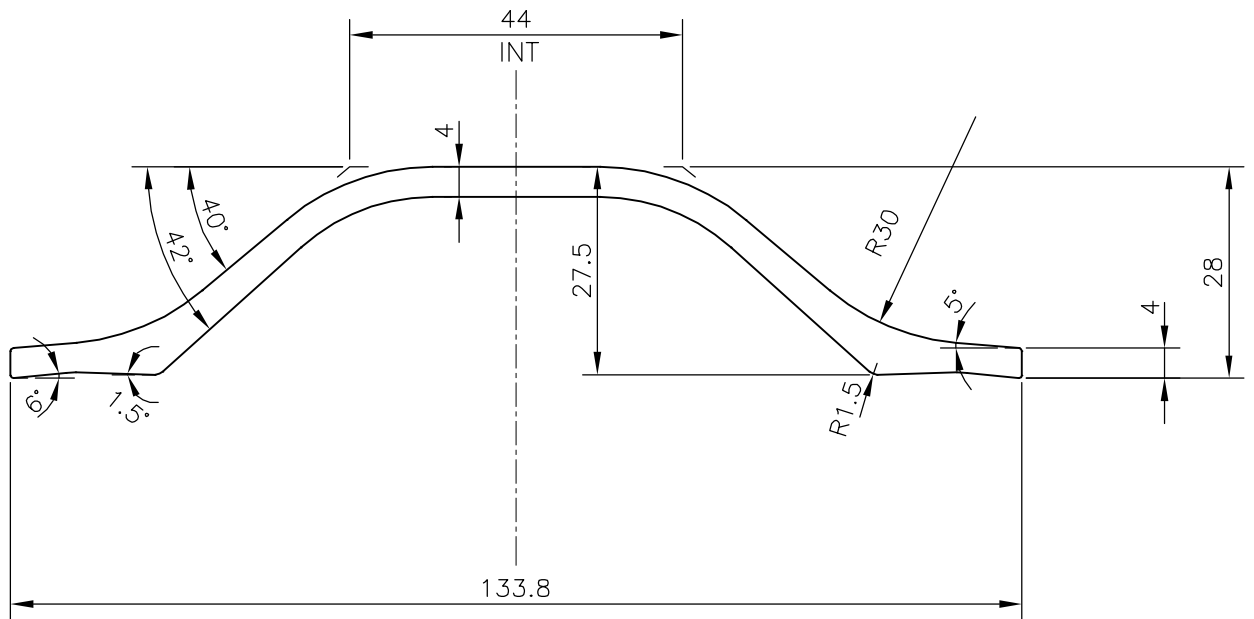


P-19629

18663



SYMBOL OF QUALITY
AN ISO 9001 COMPANY

JINDAL ALUMINIUM LTD.
BANGALORE-560073 (INDIA)

	NAME	DATE
DRAWN	J.P.KAUSHIK	02-07-2019
CHECKED		
APPROVED	J.N. RAI	13-07-2019

1. ALL DIMENSIONS ARE IN mm.
2. ROUND OFF ALL SHARP CORNERS WITH 0.40 mm.
3. TOLERANCES WILL BE AS PER IS:3965-1981 , UNLESS OTHERWISE SPECIFIED

SCALE	1:1
AREA mm ²	645.167
PERIMETER mm.	304.636
WEIGHT kg/m	1.742

PARTY'S NAME	GENERAL CATEGORY, DELHI MARKET	DRAWING No.	P-19629	SECTION No.	-
PARTY'S DRAWING No.	AS PER SAMPLE		18663		18663
ALLOY & TEMPER	HE9 WP				
DESCRIPTION	HANDLE SECTION				