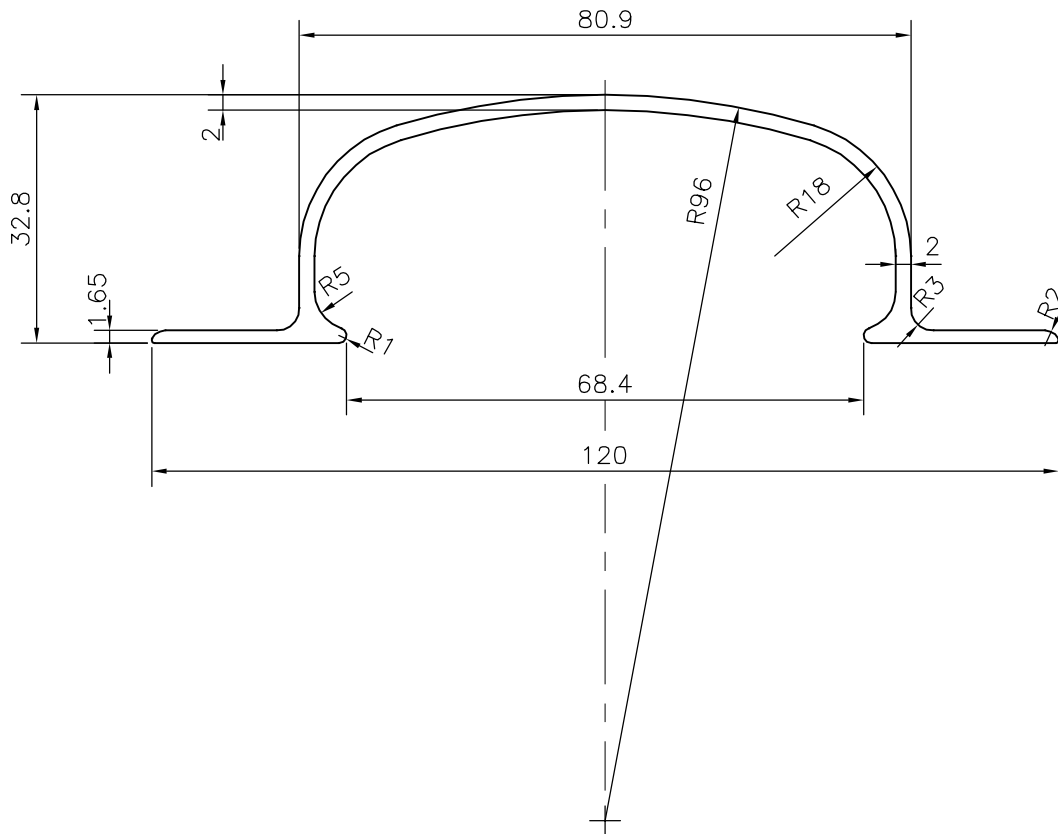


P-19824

18672



SYMBOL OF QUALITY
AN ISO 9001 COMPANY

JINDAL ALUMINIUM LTD.
BANGALORE-560073 (INDIA)

	NAME	DATE
DRAWN	J.P.KAUSHIK	10-07-2019
CHECKED		
APPROVED	B.NATARAJA	07-09-2019
SCALE		1:1
AREA mm ²		335.848
PERIMETER mm.		333.238
WEIGHT kg/m		0.907
DRAWING No.	SECTION No.	
P-19824	-	
18672	18672	

1. ALL DIMENSIONS ARE IN mm.
2. ROUND OFF ALL SHARP CORNERS WITH 0.40 mm.
3. TOLERANCES WILL BE AS PER IS:3965-1981 , UNLESS OTHERWISE SPECIFIED

PARTY'S NAME	PREMIER SALES CORPORATION, NEW DELHI
PARTY'S DRAWING No.	AS PER SAMPLE
ALLOY & TEMPER	HE9 WP A3D
DESCRIPTION	HANDLE SECTION