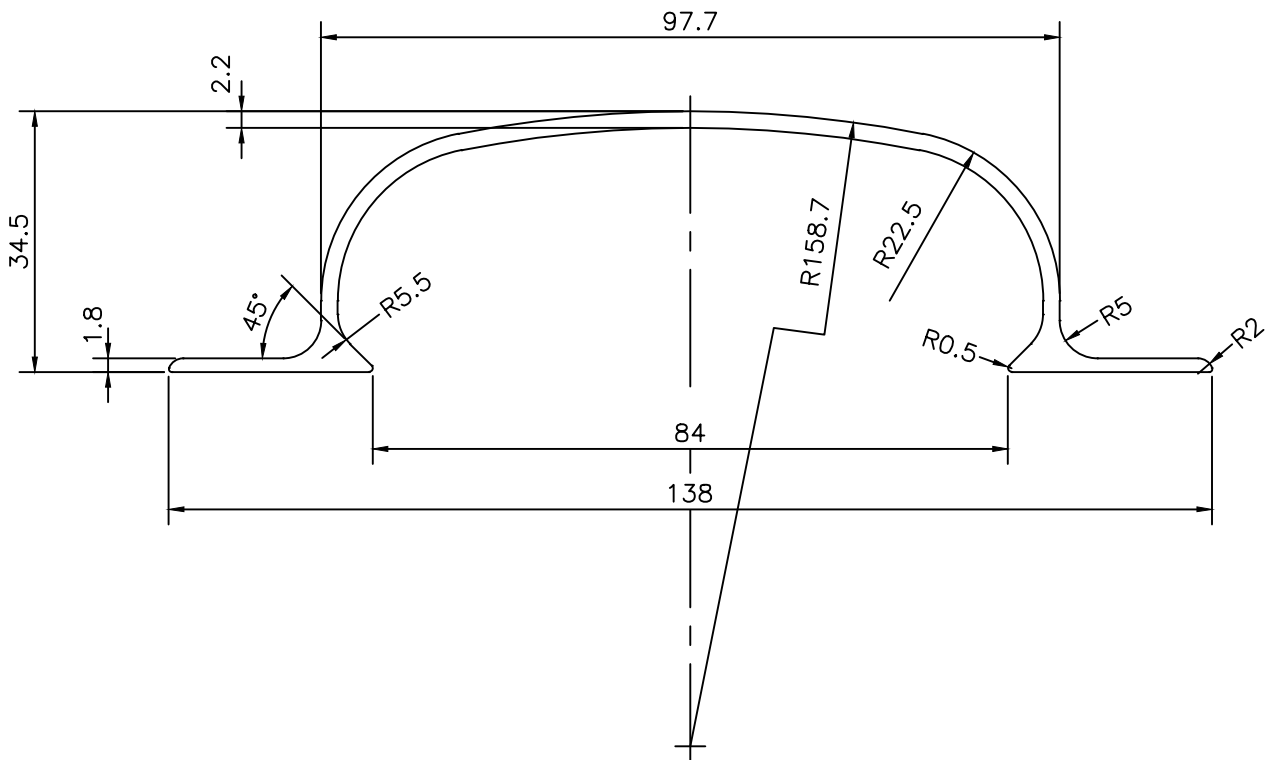


P-18844-1

X2457

18682



SYMBOL OF QUALITY
AN ISO 9001 COMPANY

JINDAL ALUMINIUM LTD.
BANGALORE-560073 (INDIA)

	NAME	DATE
DRAWN	DARPAN	21-11-2018
CHECKED		
APPROVED	B.NATARAJA	14-12-2018

1. ALL DIMENSIONS ARE IN mm.
2. ROUND OFF ALL SHARP CORNERS WITH 0.40 mm.
3. TOLERANCES WILL BE AS PER IS:3965-1981 , UNLESS OTHERWISE SPECIFIED

SCALE	1:1
AREA mm ²	417.287
PERIMETER mm.	369.294
WEIGHT kg/m	1.127

PARTY'S NAME	IMPERIAL METAL MART, NEW DELHI	DRAWING No.	SECTION No.
PARTY'S DRAWING No.	AS PER SAMPLE & REQUIRMENT	P-18844-1	-
ALLOY & TEMPER	HE9 WP A3D	X2457	X2457
		18682	18682
DESCRIPTION	"C" TYPE HANDLE SECTION		