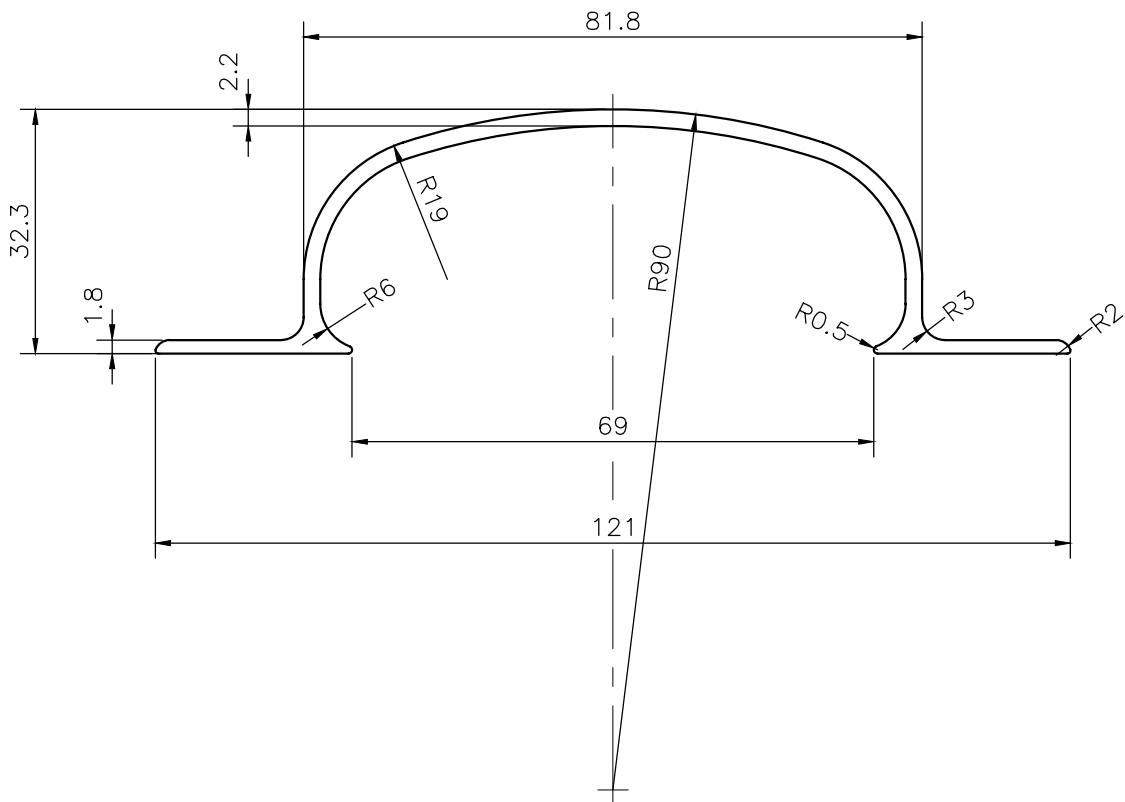


P-18846-1

X2459

18684



SYMBOL OF QUALITY
AN ISO 9001 COMPANY

JINDAL ALUMINIUM LTD.
BANGALORE-560073 (INDIA)

| | NAME | DATE |
|----------|------------|------------|
| DRAWN | DARPAN | 22-11-2018 |
| CHECKED | | |
| APPROVED | B.NATARAJA | 14-12-2018 |

1. ALL DIMENSIONS ARE IN mm.
2. ROUND OFF ALL SHARP CORNERS WITH 0.40 mm.
3. TOLERANCES WILL BE AS PER IS:3965-1981 , UNLESS OTHERWISE SPECIFIED

| | |
|----------------------|---------|
| SCALE | 1:1 |
| AREA mm ² | 357.797 |
| PERIMETER mm. | 330.772 |
| WEIGHT kg/m | 0.966 |

| | | | | | |
|---------------------|--------------------------------|-------------|-----------|-------------|---|
| PARTY'S NAME | IMPERIAL METAL MART, NEW DELHI | DRAWING No. | P-18846-1 | SECTION No. | - |
| PARTY'S DRAWING No. | AS PER SAMPLE & REQUIRMENT | X2459 | X2459 | | |
| ALLOY & TEMPER | HE9 WP A3D | 18684 | 18684 | | |
| DESCRIPTION | "C" TYPE HANDLE SECTION | | | | |