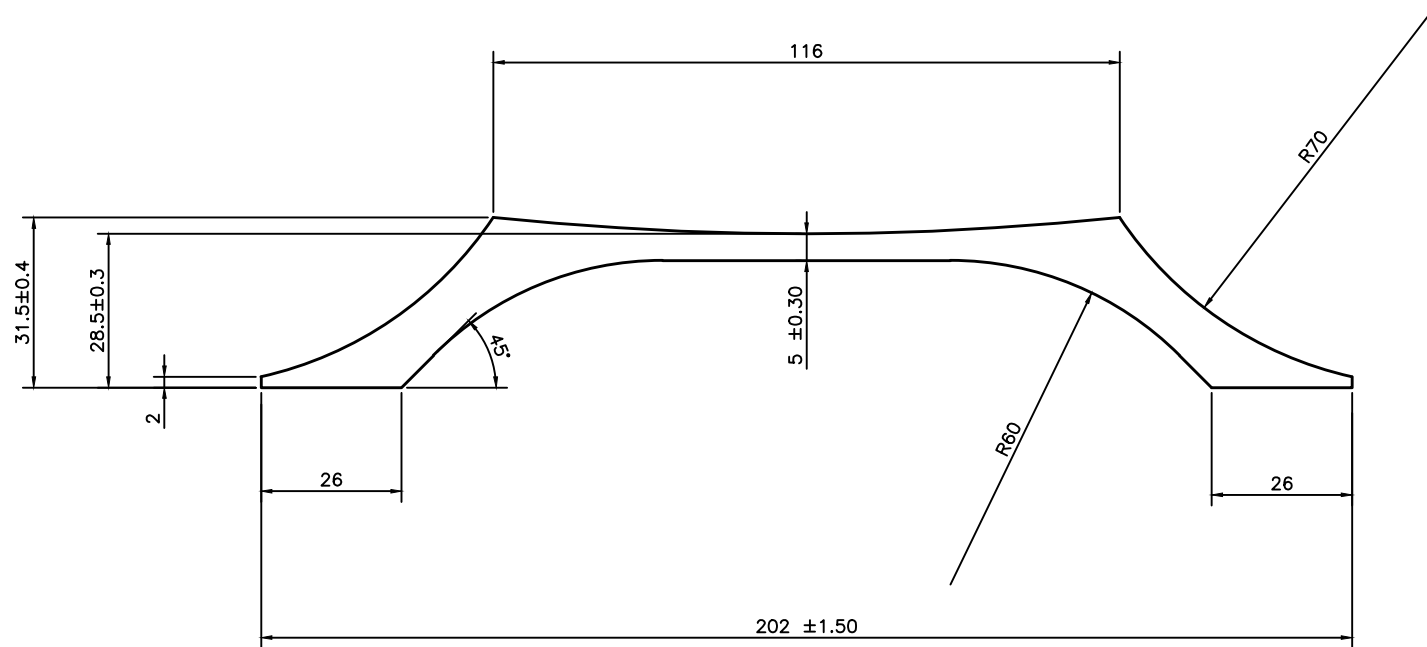



IAL-D-6671

18687



 SYMBOL OF QUALITY AN ISO 9001 COMPANY	JINDAL ALUMINIUM LTD. BANGALORE-560073 (INDIA)		NAME	DATE
			DRAWN	S.K.SHARMA 29-12-2021
			CHECKED	
APPROVED				
1. ALL DIMENSIONS ARE IN mm. 2. ROUND OFF ALL SHARP CORNERS WITH 0.40 mm. 3. TOLERANCES WILL BE AS PER IS:6477-1983 , UNLESS OTHERWISE SPECIFIED		SCALE	1:1	
		AREA mm ²	1691.71	
		PERIMETER mm.	443.38	
PARTY'S NAME		M/S.ADITYA ENTERPRISES	WEIGHT kg/m	5.568
PARTY'S DRAWING No.		AS PER DRAWING	DRAWING No.	SECTION No.
ALLOY & TEMPER		6063 T6	IAL-D-6671	-
DESCRIPTION		HANNdle SECTION	18687	18687