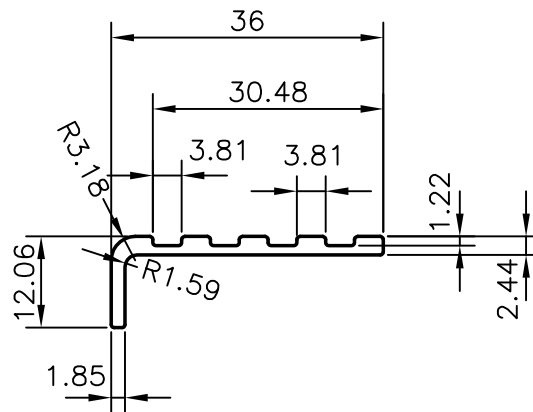


4151

19151



JINDAL ALUMINIUM LTD.

BANGALORE-560073

		NAME	DATE
		DRAWN	R.D.Sharma
1. ALL DIMENSIONS ARE IN mm. 2. ROUND OFF ALL SHARP CORNERS WITH 0.4 mm. 3. TOLERANCES WILL BE AS PER IS: 3965-1981 ,UNLESS OTHERWISE SPECIFIED		CHECKED	
		APPROVED	
PARTY'S NAME	GENERAL CATEGORY	SCALE	1:1
PARTY'S DRAWING No.	—	WEIGHT kg/m	0.231
ALLOY & TEMPER	HE9 WP	SECTION No.	19151
LENGTH	3658 mm.	DRAWING No.	
DESCRIPTION	STEP EDGING	19151	