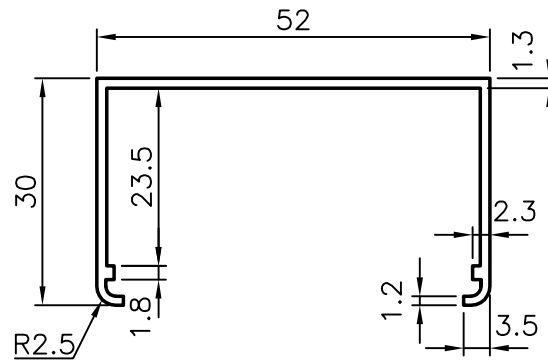



4292

14007

19212



 SYMBOL OF QUALITY AN ISO 9002 COMPANY	JINDAL ALUMINIUM LTD. BANGALORE-560073 (INDIA)				NAME	DATE
				DRAWN	K.V.GUPTA	26-6-79
1. ALL DIMENSIONS ARE IN mm 2. ROUND OFF SHARP CORNERS WITH 0.4mm R 3. TOLERANCES WILL BE AS PER IS : 3965-1981				CHECKED		
				APPROVED		
PARTY'S NAME				SCALE		1:1
PARTY'S DRAWING No.				WEIGHT kg/m		0.401
ALLOY & TEMPER				SECTION No.		19212
DESCRIPTION				DRAWING No.		19212
HAND RAIL						