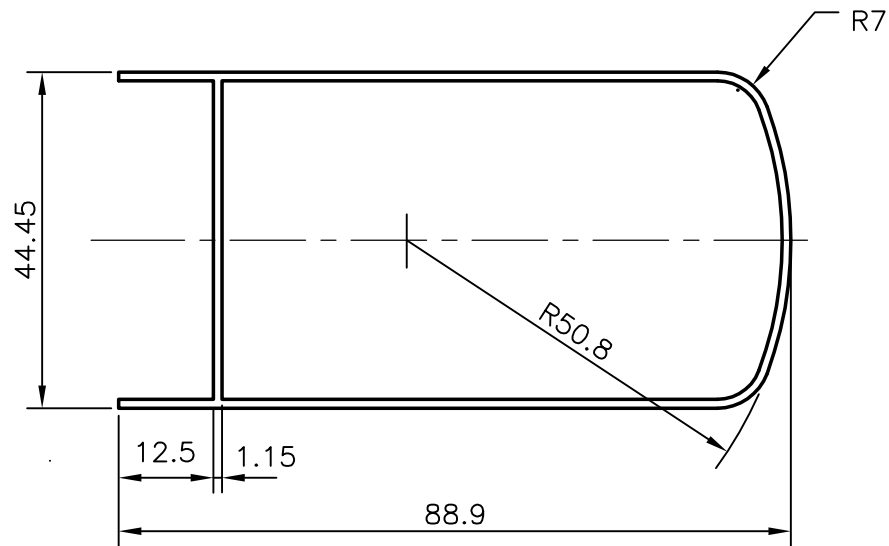


4300

14011

19217



1. GENERAL WALL THICKNESS :- 1.15 mm.
2. REQUIRED WEIGHT 2.800 kgs / 3658 mm. LONG PIECE

JINDAL ALUMINIUM LTD.

BANGALORE-560073

		NAME	DATE
		DRAWN	R.D.Sharma
1. ALL DIMENSIONS ARE IN mm. 2. ROUND OFF ALL SHARP CORNERS WITH 0.4 mm. 3. TOLERANCES WILL BE AS PER IS: 6477-1983 ,UNLESS OTHERWISE SPECIFIED		CHECKED	
		APPROVED	
PARTY'S NAME	SUPER ALUMINIUM CO., COCHIN	SCALE	1:1
PARTY'S DRAWING No.	NIL	WEIGHT kg/m	0.765
ALLOY & TEMPER	HE9 WP	SECTION No.	19217
LENGTH	3658 mm.	DRAWING No.	
DESCRIPTION	HAND RAIL	19217	