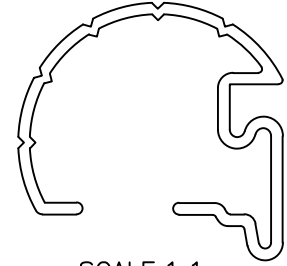
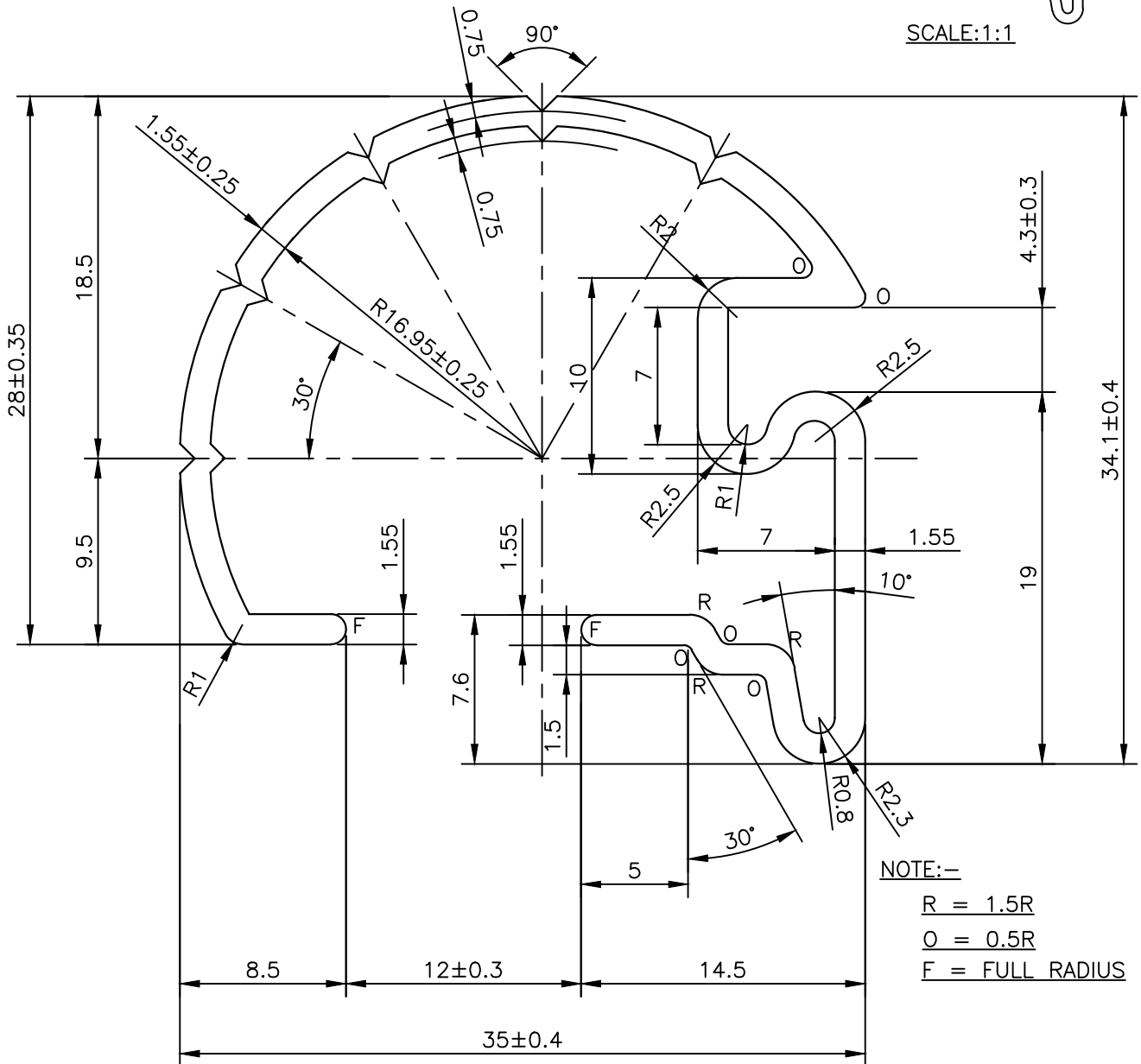


IAL-D-504

19251



SCALE:1:1



NOTE:--

 $R = 1.5R$ $O = 0.5R$

F = FULL RADIUS



SYMBOL OF QUALITY
AN ISO 9001 COMPANY

JINDAL ALUMINIUM LTD.
BANGALORE-560073 (INDIA)

	NAME	DATE
DRAWN	S.K.SHARMA	02-03-2022
CHECKED		
APPROVED		

1. ALL DIMENSIONS ARE IN mm.
2. ROUND OFF ALL SHARP CORNERS WITH 0.40 mm.
3. TOLERANCES WILL BE AS PER BS:EN-755-9 , UNLESS OTHERWISE SPECIFIED

SCALE	1:1&3:1
AREA mm ²	180.5
PERIMETER mm.	241.0
WEIGHT kg/m	0.487

PARTY'S NAME	MARKET	DRAWING No.	SECTION No.
PARTY'S DRAWING No.	AS PER DRAWING	IAL-D-504	-
ALLOY & TEMPER	HE9 WP	19251	19251
DESCRIPTION	HANDRAIL		