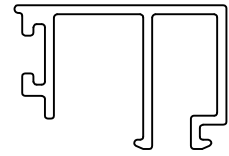


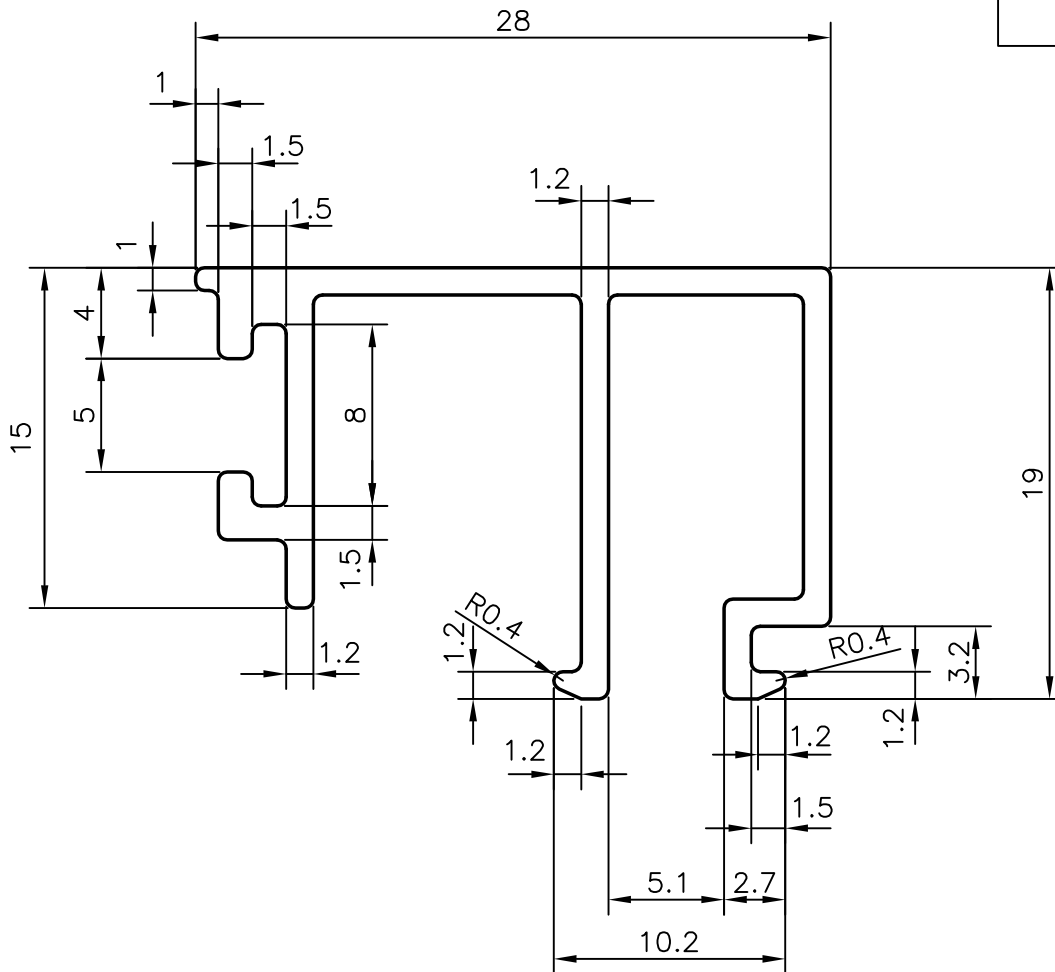
4419

14605

19359



1:1



UNSPECIFIED GENERAL WALL THICKNESS :- 1.20 mm.

JINDAL ALUMINIUM LTD.**BANGALORE-560073**

NAME

DATE

DRAWN

R.D.Sharma

09-02-98

CHECKED

APPROVED

1. ALL DIMENSIONS ARE IN mm.
 2. ROUND OFF ALL SHARP CORNERS WITH 0.4 mm.
 3. TOLERANCES WILL BE AS PER IS: 3965-1981 ,UNLESS OTHERWISE SPECIFIED

PARTY'S NAME JUPITER WINDOWS, BOMBAY

SCALE

3:1

PARTY'S DRAWING No. JEX-119

WEIGHT kg/m

0.301

ALLOY & TEMPER HE9 WP

SECTION No.

19359

LENGTH 3658 mm.

DRAWING No.

DESCRIPTION

GLAZING CLIP

19359