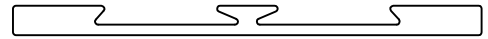


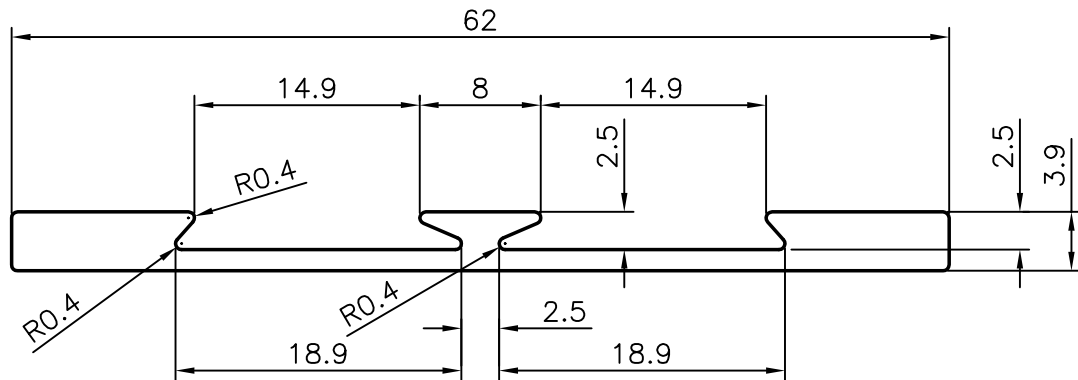
P-4346

14608

19384



ACTUAL SIZE



SYMBOL OF QUALITY
AN ISO 9002 COMPANY

JINDAL ALUMINIUM LTD.
BANGALORE-560073 (INDIA)

	NAME	DATE
DRAWN	MALINGAPPA	29.07.2003
CHECKED		
APPROVED		

1. ALL DIMENSIONS ARE IN mm.
2. ROUND OFF ALL SHARP CORNERS WITH 0.40 mm.
3. TOLERANCES WILL BE AS PER IS: 3965-1981 UNLESS OTHERWISE SPECIFIED

SCALE	1:1/2:1
AREA mm ²	157.16
PERIMETER mm.	152.03
WEIGHT kg/m	0.424

PARTY'S NAME GENERAL CATEGORY AHMEDABAD MARKET

PARTY'S DRAWING No. AS PER SKETCH

ALLOY & TEMPER HE9 WP

DESCRIPTION GLAZING PLATE

DRAWING No.	SECTION No.
P-4346	-
14608	14608
19384	19384