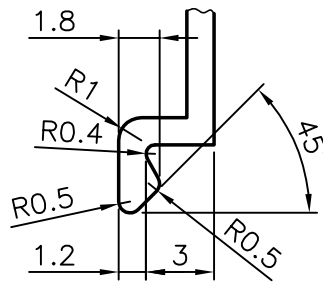
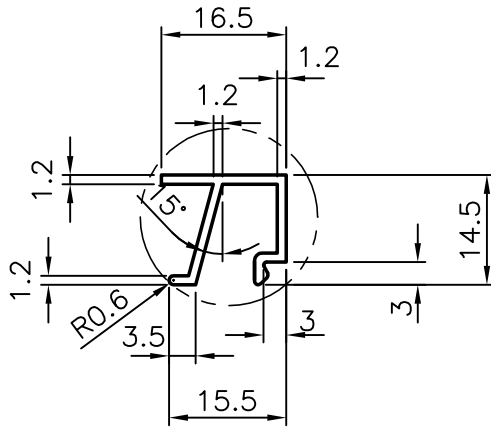



8309
11809
19389



 SYMBOL OF QUALITY AN ISO 9002 COMPANY	JINDAL ALUMINIUM LTD. BANGALORE-560073 (INDIA)			NAME	DATE
				DRAWN	P.RAO
1. ALL DIMENSIONS ARE IN mm 2. ROUND OFF SHARP CORNERS WITH 0.4mm R 3. TOLERANCES WILL BE AS PER IS : 3965-1981				CHECKED	
				APPROVED	
				SCALE	1:1
PARTY'S NAME	KUWAIT ALUMINIUM			WEIGHT kg/m	0.157
PARTY'S DRAWING No.	140	FINISH	-	SECTION No.	19389
ALLOY & TEMPER	HE 9 WP	LENGTH:	-	DRAWING No.	
DESCRIPTION	GLAZING CLIP			19389	