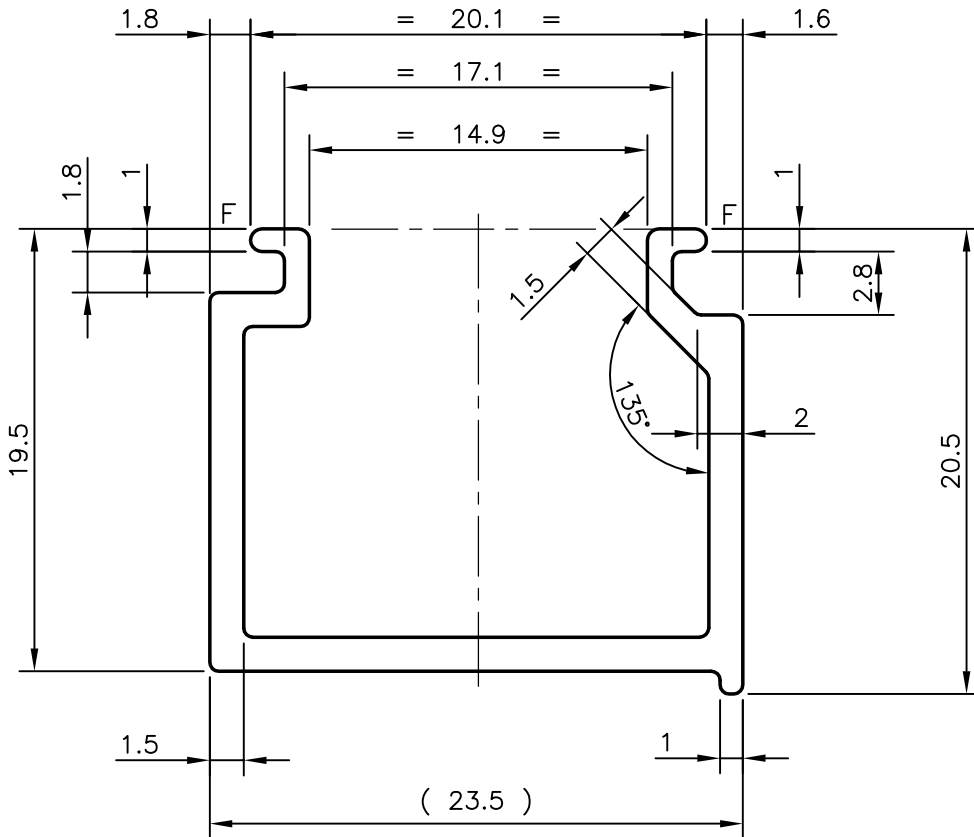
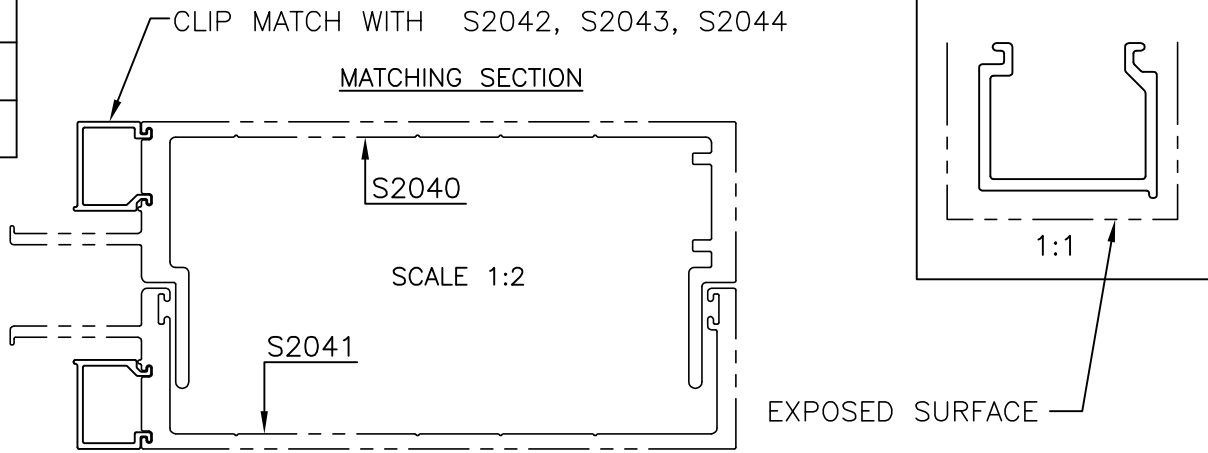


P-7433

19408



NOTE:-

1. F = FULL RADIUS (2 PLACES)
2. UNSPECIFIED WALL THICKNESS 1.50 mm
3. TWIST = 1.20 mm/M
4. STRAIGHTNESS = 1.00 mm/M
5. ANGULARITY = $\pm 1^\circ$
6. FLATNESS = ± 0.7 mm



SYMBOL OF QUALITY
AN ISO 9001 COMPANY

JINDAL ALUMINIUM LTD.
BANGALORE-560073 (INDIA)

	NAME	DATE
DRAWN	PRASANN.H	04-08-2007
CHECKED		
APPROVED		
SCALE		3:1
AREA mm ²		98.717
PERIMETER mm.		135.386
WEIGHT kg/m		0.267
DRAWING No.	SECTION No.	
P-7433	-	
19408	19408	

1. ALL DIMENSIONS ARE IN mm.
2. ROUND OFF ALL SHARP CORNERS WITH 0.40 mm.
3. TOLERANCES WILL BE AS PER EN12020-2:2001 UNLESS OTHERWISE SPECIFIED

PARTY'S NAME	INDIA LAND AND PROPERTIES, CHENNAI
PARTY'S DRAWING No.	CTP-012
ALLOY & TEMPER	HE9 WP
DESCRIPTION	GLAZING CLIP