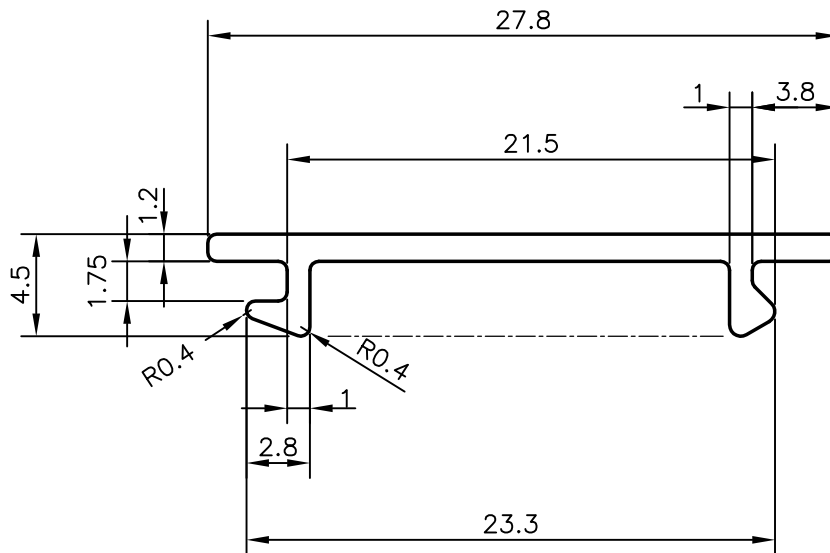
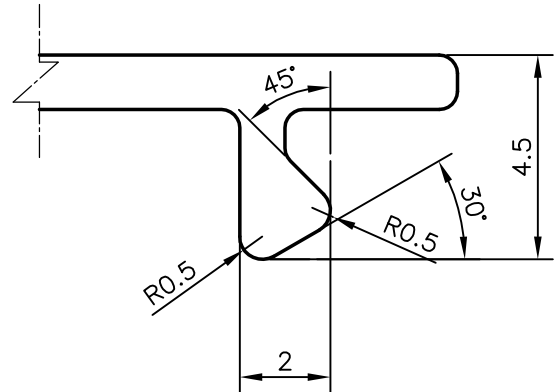
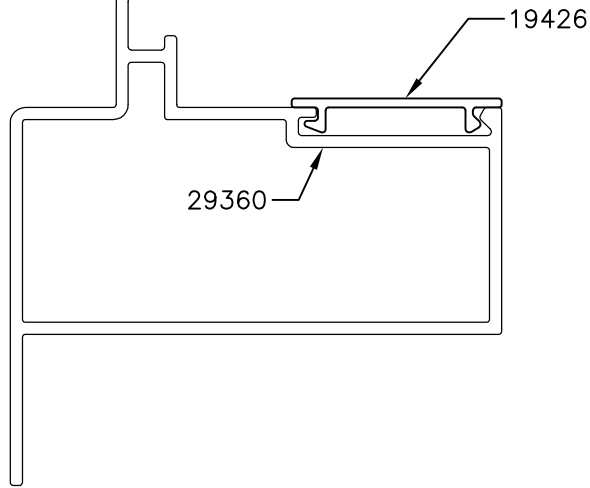
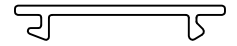


P-7335

S2016

19426



SYMBOL OF QUALITY
AN ISO 9002 COMPANY

JINDAL ALUMINIUM LTD.
BANGALORE-560073 (INDIA)

| | NAME | DATE |
|----------|-------------|------------|
| DRAWN | J.P.KAUSHIK | 08-06-2007 |
| CHECKED | | |
| APPROVED | | |

1. ALL DIMENSIONS ARE IN mm.
2. ROUND OFF ALL SHARP CORNERS WITH 0.40 mm.
3. TOLERANCES WILL BE AS PER IS:3965-1981 UNLESS OTHERWISE SPECIFIED

| | |
|----------------------|--------|
| SCALE | 3:1 |
| AREA mm ² | 42.907 |
| PERIMETER mm. | 72.87 |
| WEIGHT kg/m | 0.116 |

PARTY'S NAME VADEHRA BUILDERS PVT. LTD., BANGALORE

PARTY'S DRAWING No. AS PER SAMPLE

ALLOY & TEMPER HE9 WP

DESCRIPTION CLIP SECTION

| DRAWING No. | SECTION No. |
|-------------|-------------|
| P-7335 | - |
| S2016 | S2016 |
| 19426 | 19426 |
| | |
| | |