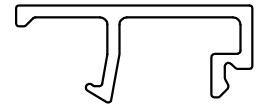
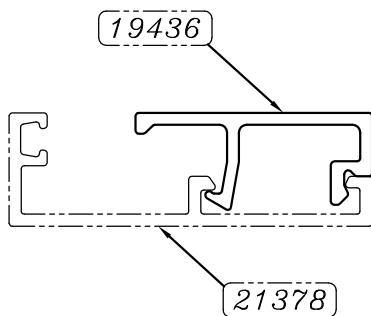
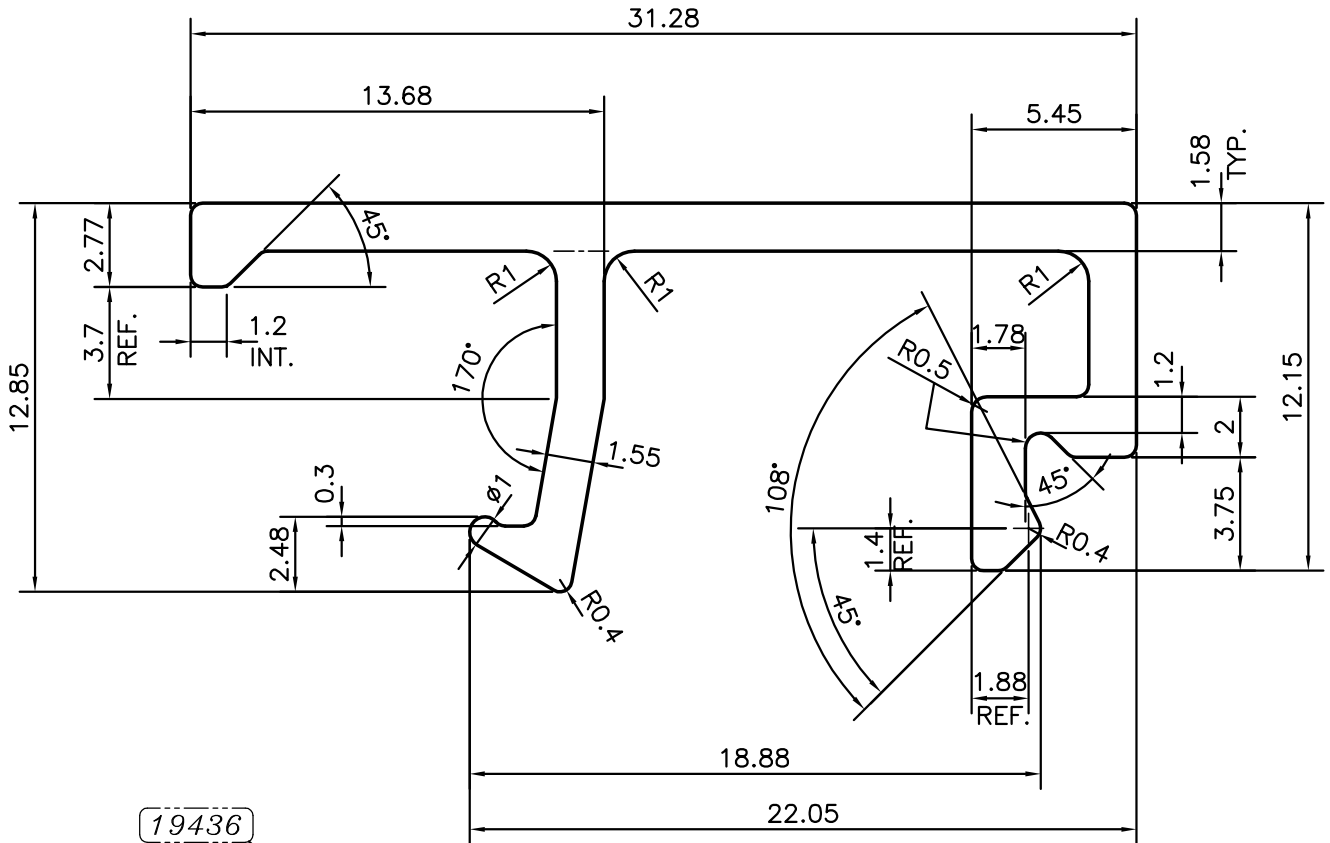


P-11472

19436



SCALE :- 1:1



SYMBOL OF QUALITY  
AN ISO 9001 COMPANY

**JINDAL ALUMINIUM LTD.**  
BANGALORE-560073 (INDIA)

	NAME	DATE
DRAWN	PARVESH	17-01-2012
CHECKED		
APPROVED	B.NATARAJ	11-02-2012
SCALE		4:1
AREA mm <sup>2</sup>		96.34
PERIMETER mm.		119.678
WEIGHT kg/m		0.26
DRAWING No.	SECTION No.	
P-11472	-	
19436	19436	

1. ALL DIMENSIONS ARE IN mm.
2. ROUND OFF ALL SHARP CORNERS WITH 0.40 mm.
3. TOLERANCES WILL BE AS PER IS:3965-1981, UNLESS OTHERWISE SPECIFIED

PARTY'S NAME	GENERAL CATEGORY, MUMBAI MARKET
PARTY'S DRAWING No.	AAL/WIN/DE-01
ALLOY & TEMPER	HE9 WP
DESCRIPTION	BEADING FOR FIX PANEL