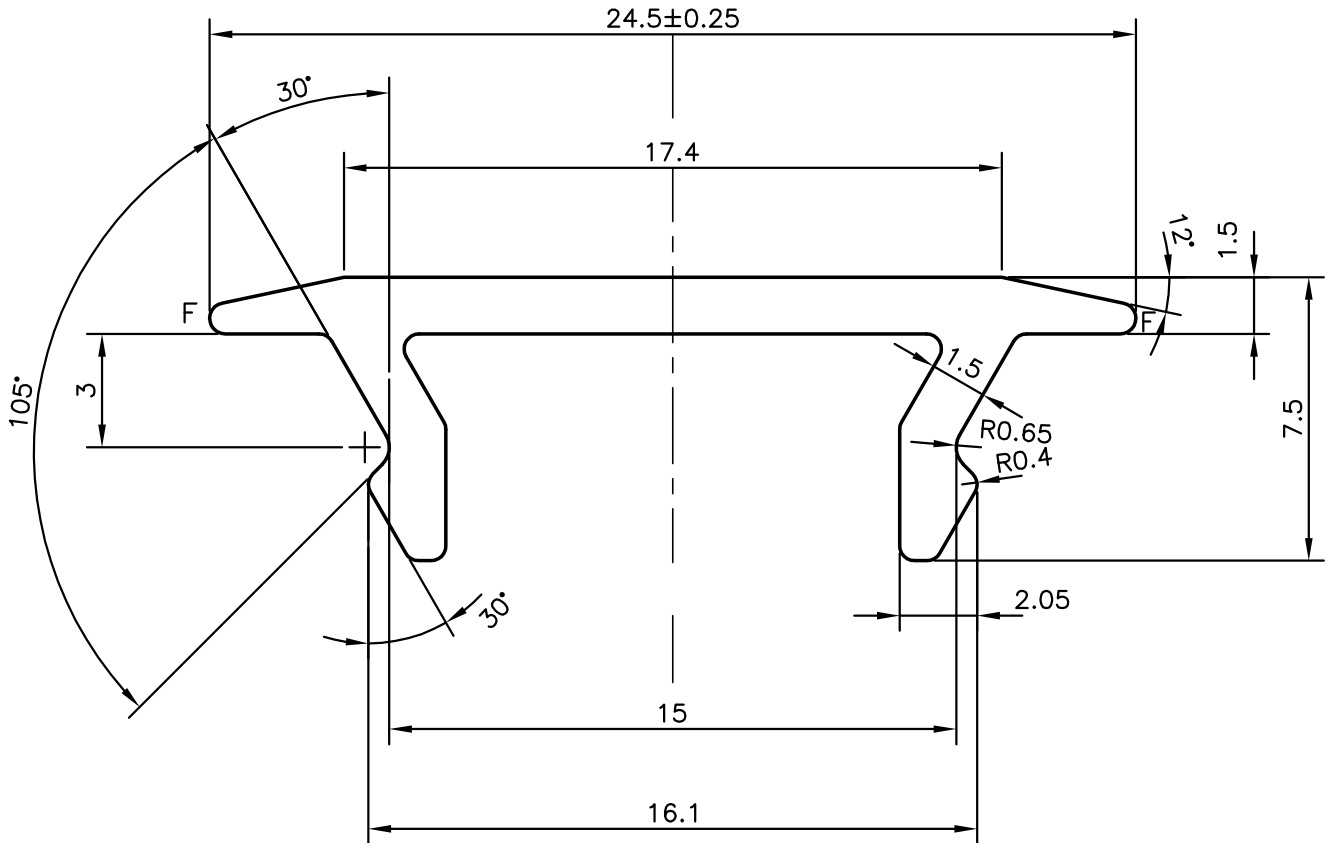
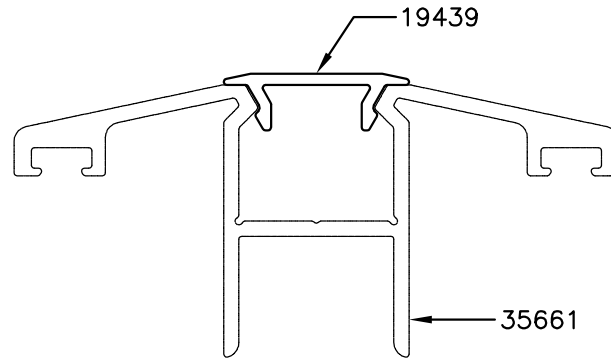
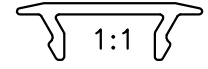


P-9735

S2477

19439



F = FULL RADIUS ( 2 PLACES )



SYMBOL OF QUALITY  
AN ISO 9001 COMPANY

**JINDAL ALUMINIUM LTD.**  
BANGALORE-560073 (INDIA)

	NAME	DATE
DRAWN	J.P.KAUSHIK	11-01-2010
CHECKED		
APPROVED	S.S.GARG	03-03-2010
SCALE		5:1
AREA mm <sup>2</sup>		53.936
PERIMETER mm.		73.449
WEIGHT kg/m		0.146
DRAWING No.	SECTION No.	
P-9735	-	
S2477	S2477	
19439	19439	

1. ALL DIMENSIONS ARE IN mm.
2. ROUND OFF ALL SHARP CORNERS WITH 0.40 mm.
3. TOLERANCES WILL BE AS PER IS:3965-1981, UNLESS OTHERWISE SPECIFIED

PARTY'S NAME	SP FABRICATORS PVT. LTD., MUMBAI
PARTY'S DRAWING No.	AL- 642
ALLOY & TEMPER	6063 T6
DESCRIPTION	COVER CAP PROFILE