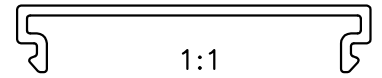
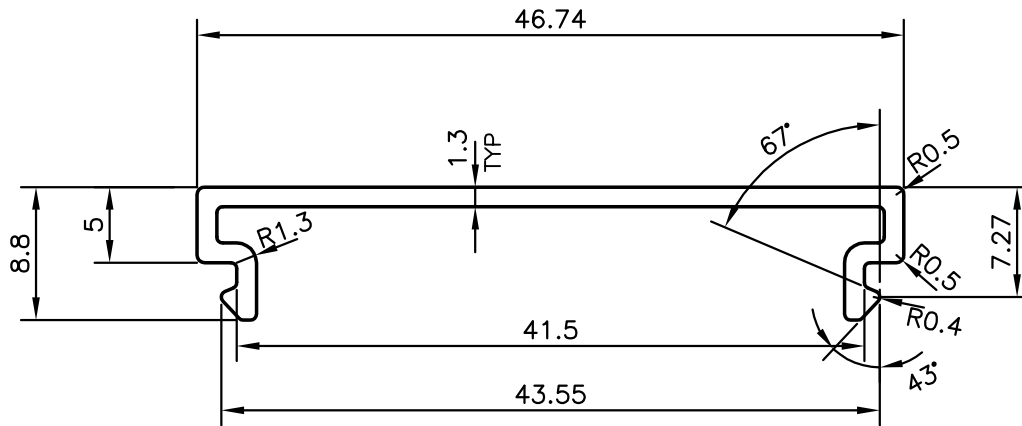


P-11905

19440



1:1



SYMBOL OF QUALITY
AN ISO 9001 COMPANY

JINDAL ALUMINIUM LTD.
BANGALORE-560073 (INDIA)

	NAME	DATE
DRAWN	J.P.KAUSHIK	17-07-2012
CHECKED		
APPROVED	S.S.GARG	08-08-2012

1. ALL DIMENSIONS ARE IN mm.
2. ROUND OFF ALL SHARP CORNERS WITH 0.40 mm.
3. TOLERANCES WILL BE AS PER BS:EN-755-9 UNLESS OTHERWISE SPECIFIED

SCALE	2:1
AREA mm ²	88.626
PERIMETER mm.	134.751
WEIGHT kg/m	0.239

PARTY'S NAME MODTEC INDUSTRIES LTD., NEW ZEALAND

DRAWING No. SECTION No.

PARTY'S DRAWING No. SAM0629

P-11905 -

ALLOY & TEMPER 6106 T6

19440 19440

DESCRIPTION A4PP OE DUCT COVER