

P-12494

S3639

19450

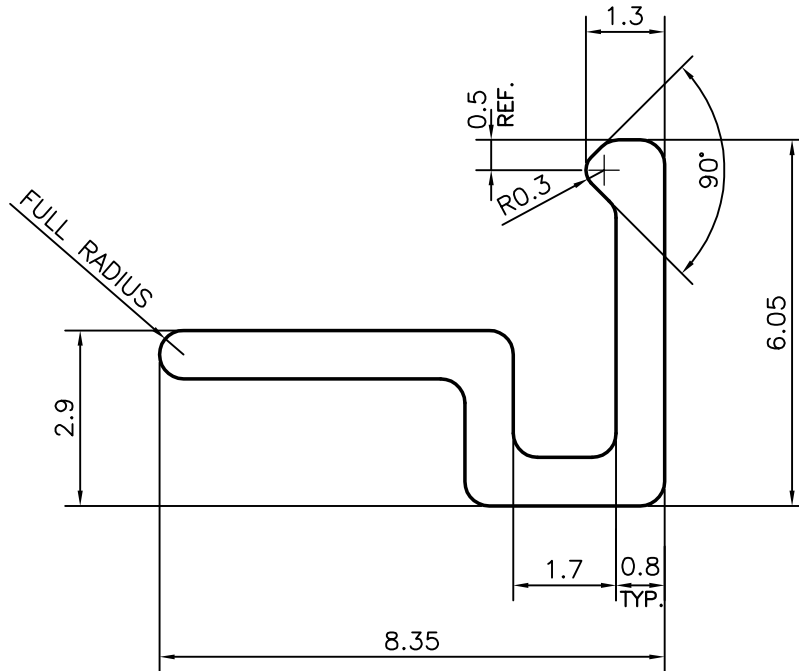


EXPOSED SURFACE



SCALE :- 1:1

X1656, X1657, S3640, X1658



SYMBOL OF QUALITY  
AN ISO 9001 COMPANY

**JINDAL ALUMINIUM LTD.**  
BANGALORE-560073 (INDIA)

	NAME	DATE
DRAWN	PARVESH	31-01-2013
CHECKED		
APPROVED	S.S.GARG	07-02-2013
SCALE		8:1
AREA mm <sup>2</sup>		12.82
PERIMETER mm.		31.882
WEIGHT kg/m		0.035
DRAWING No.	SECTION No.	
P-12494	-	
S3639	S3639	
19450	19450	

1. ALL DIMENSIONS ARE IN mm.
2. ROUND OFF ALL SHARP CORNERS WITH 0.40 mm.
3. TOLERANCES WILL BE AS PER IS:3965-1981 , UNLESS OTHERWISE SPECIFIED

PARTY'S NAME	SOUNDARYA DECORATORS PVT. LTD., CHENNAI
PARTY'S DRAWING No.	AS PER Auto CAD DRAWING-SN-D3
ALLOY & TEMPER	HE9 WP
DESCRIPTION	DOOR PARTITION SECTION-SINGLE GLAZING